



bathroom collection

committed to  
your well-being



- 8 shower trays
- 44 bathtubs
- 50 wall panels
- 56 standard bathroom tops
- 60 custom made vanity tops
- 70 shelves
- 74 accessories
- 78 general information

# aesthetics and avant garde

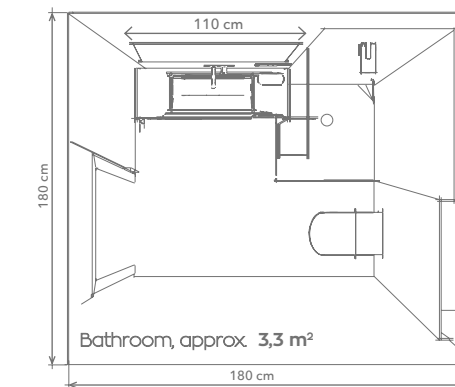
size, materials, textures and a new lighter composition with a highly-resistant, durable Gel Coat finish

Ohmyshower supplies an impeccable selection of products to satisfy different style requirements that come together in a society that is becoming increasingly more demanding and cosmopolitan.

By carrying out on-going research work into products and markets, our manufacturing is now ranked as one of the most competitive ones and it is unbeatable value for money in the business environment that we are part of in the short- and medium-term. Our collections of shower trays that are available in colours and sizes developed by our creative and technical department enable us to put a wide range of solutions in the bathroom market. The objective of the technological and logistical work, the daily investment, the human capital and the dedication to service is to grow and provide the best possible service .

# adaptable to any space

multiple solutions for your  
bathroom



Ohmyshower gives us the chance to customize and adapt spaces by developing multiple solutions. Creative spaces offer solutions to make the most out of the available space by incorporating shower trays, washbasins, floor and wall panels. There are all-round solutions for bathrooms, with seamless, invisible joints, which are completely watertight.



Shower tray NATURE / Bathroom vanity top IDEAL



# technology that respects the planet



## nanotechnology

Ohmyshower manufactures its products combining composite mineral and nanotechnology, in addition to the use of materials that favor the sustainability of the planet. It combines elastic resins with mineral fillers and a layer of the latest generation gel coat that result in products with greater durability and impact resistance, as well as significantly reducing their weight.

30%  
resin

70%  
composite  
mineral

**Sustainability**  
**Nanotechnology**  
**High quality materials**  
**Durability**  
**Weight reduction**  
**Higher resistance**

**NANOTECHNOLOGY - MORE RESISTANCE AND LESS WEIGHT**  
Application of nanotechnology to combine flexible resins with low-density mineral microparticles.

# Shower trays

## CHARACTERISTICS

### COMPOSITION

Polyester resin and the latest mineral fillers

### OUTER LAYER

Highly resistant, durable non-slip Gel Coat

### TEXTURE

Antislip Class C3



ANTISLIP CLASS 3



CUSTOM-MADE



WATERPROOF



EASY TO CUT



IMPACT RESISTANT



EASY TO REPAIR



EASY TO CLEAN



ANTIBACTERIAL



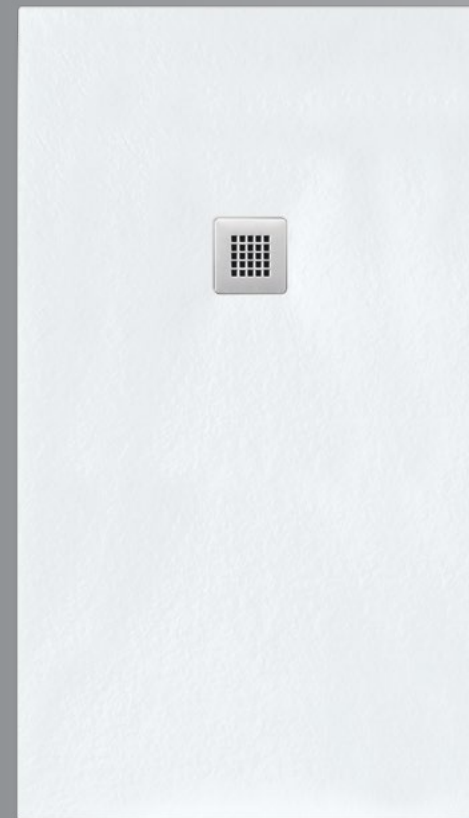
QUALITY RAW MATERIAL



HERMES



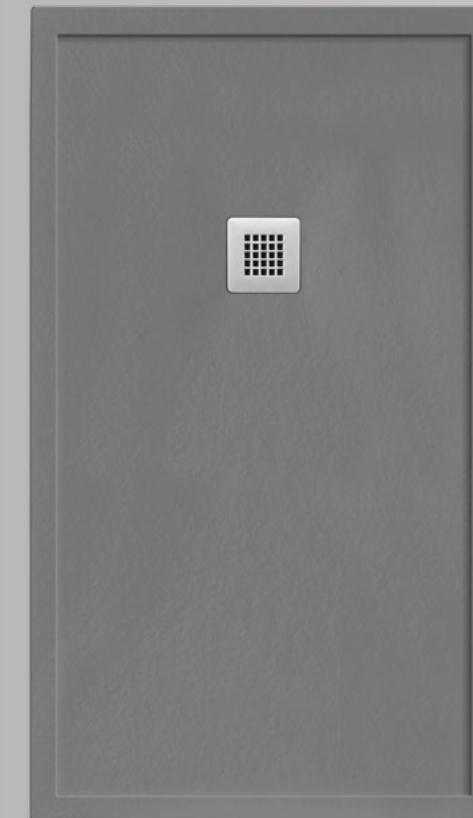
KALOS



NATURE



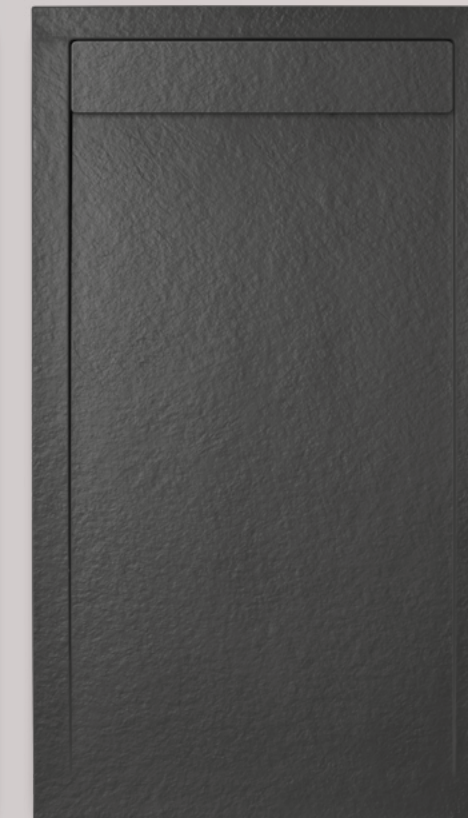
DEKOR



MARCO



NEO



PREMIUM



NATURE CURVE



# HERMES

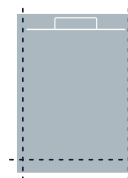


## Avantgarde design

Ohmyshower is proud to present the HERMES series, an alternative to the classic shower tray. It can be cut on three of its sides.

# HERMES

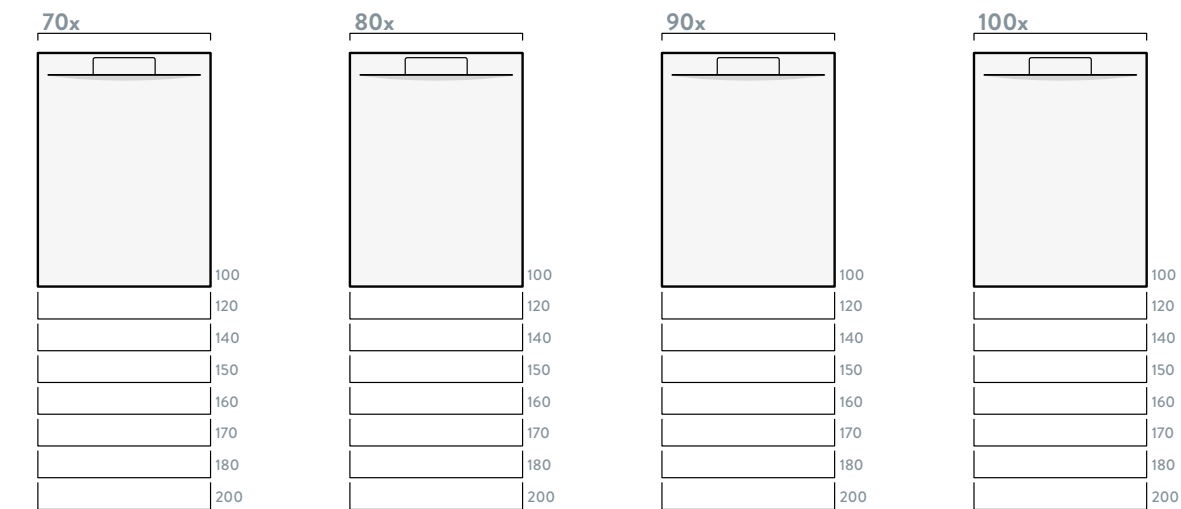
CAN BE CUT



## STANDARD COLOURS



## SIZES



X	Y							
	100	120	140	150	160	170	180	200
70	✓	✓	✓	✓	✓	✓	✓	✓
80	✓	✓	✓	✓	✓	✓	✓	✓
90	✓	✓	✓	✓	✓	✓	✓	✓
100	✓	✓	✓	✓	✓	✓	✓	✓

- RESIN COVER 300 INCLUDED
- WASTE SIPHON (RECTANGULAR OUTLET) NOT INCLUDED

SIPHON FOR RECTANGULAR OUTLET



RESIN COVER 300





Shower tray KALOS / Vanity top IDEAL / Panel DEKOR Jackson 1003

# KALOS



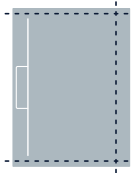
## New Style

The new shower tray Kalos has a innovative design and fits to all bathroom styles. The innovation is that the drainage is located on the side.



# KALOS

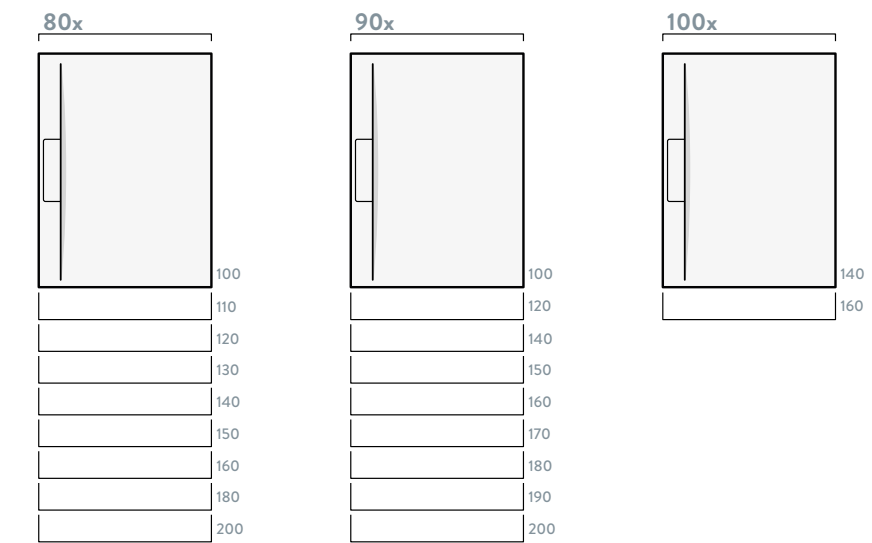
CAN BE CUT



## STANDARD COLOURS



## SIZES




RESIN COVER 300



SIPHON FOR RECTANGULAR OUTLET



X	Y										
	100	110	120	130	140	150	160	170	180	190	200
80	✓	✓	✓	✓	✓	✓	✓	-	✓	-	✓
90	✓	-	✓	-	✓	✓	✓	✓	✓	✓	✓
100	-	-	-	-	✓	-	✓	-	-	-	-

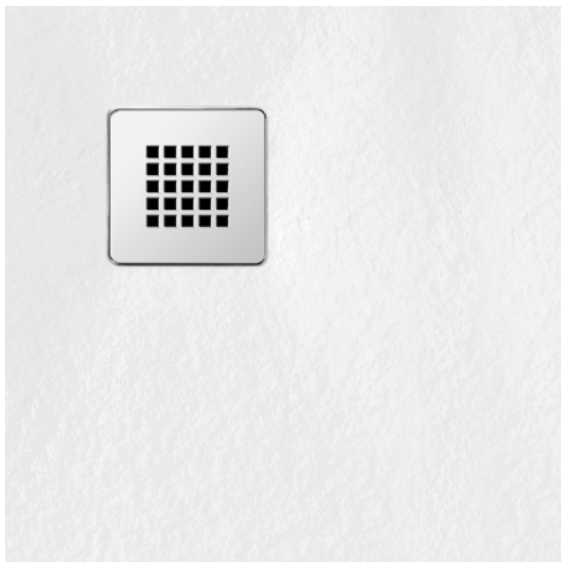
 RESIN COVER 300 INCLUDED

 WASTE SIPHON (RECTANGULAR OUTLET) NOT INCLUDED



Shower tray NATURE / Bathtub BECCA / Shelf White 9003 / Panels DEKOR Calacatta 2703 and Marquina 2020

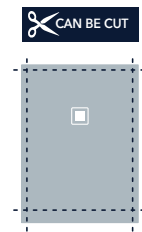
# NATURE



## Elegant Design

Nature is a shower tray that has an elegant design and its sizes can be cut according to the needs. Made of resin, has a slate texture, is durable and easy to maintain. It can be built-in and have the same floor level .

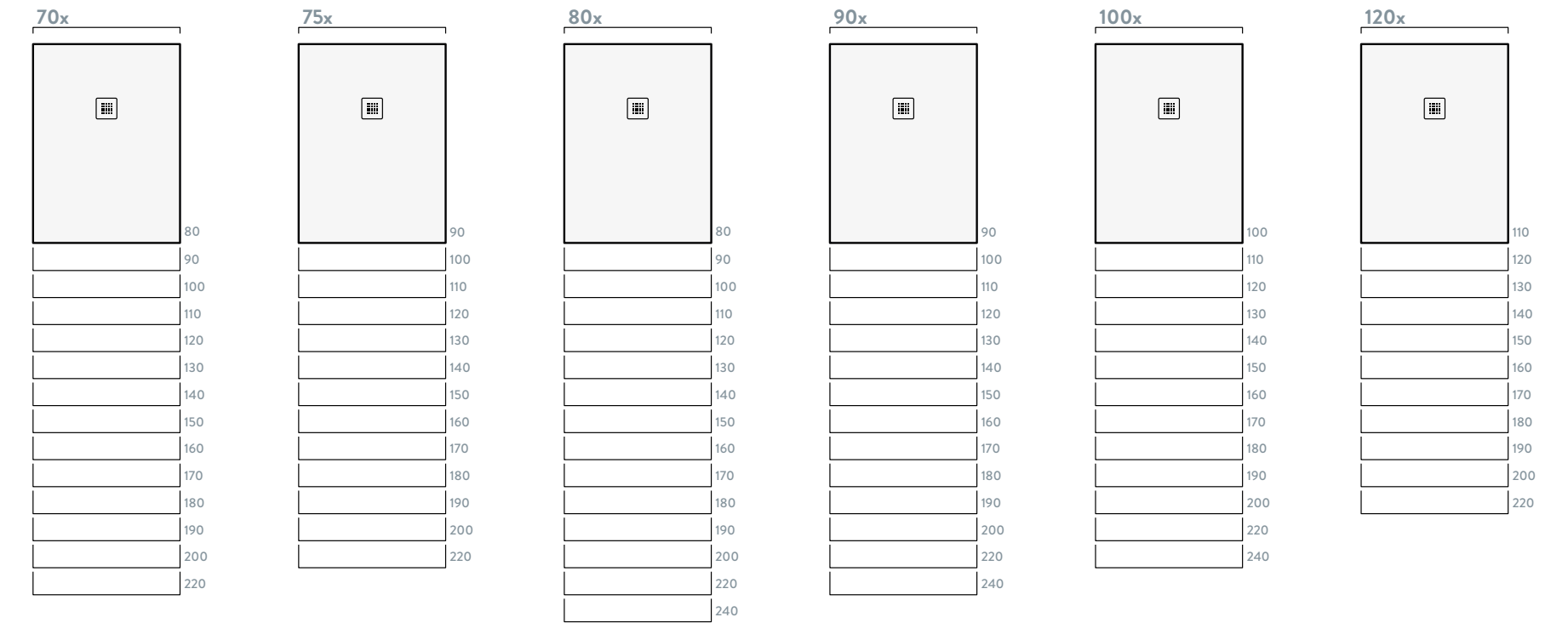
# NATURE



## STANDARD COLOURS



## SIZES



Y

	80	90	100	110	120	130	140	150	160	170	180	190	200	220	240
70	✓	✓	✓	✓	✓	✓	✓	✓	✓	✓	✓	✓	✓	✓	-
75	-	✓	✓	✓	✓	✓	✓	✓	✓	✓	✓	✓	✓	✓	-
80	✓	✓	✓	✓	✓	✓	✓	✓	✓	✓	✓	✓	✓	✓	✓
90	-	✓	✓	✓	✓	✓	✓	✓	✓	✓	✓	✓	✓	✓	✓
100	-	-	✓	✓	✓	✓	✓	✓	✓	✓	✓	✓	✓	✓	✓
120	-	-	-	✓	✓	✓	✓	✓	✓	✓	✓	✓	✓	✓	-



STAINLESS STEEL GRATING INCLUDED



WASTE SIPHON (HORIZONTAL OUTLET) NOT INCLUDED



Washbasin CLOE



Shower tray DEKOR Halifax 1001 / Washbasins CIRCUS / Shelf with skirting DEKOR Halifax 1001

# DEKOR

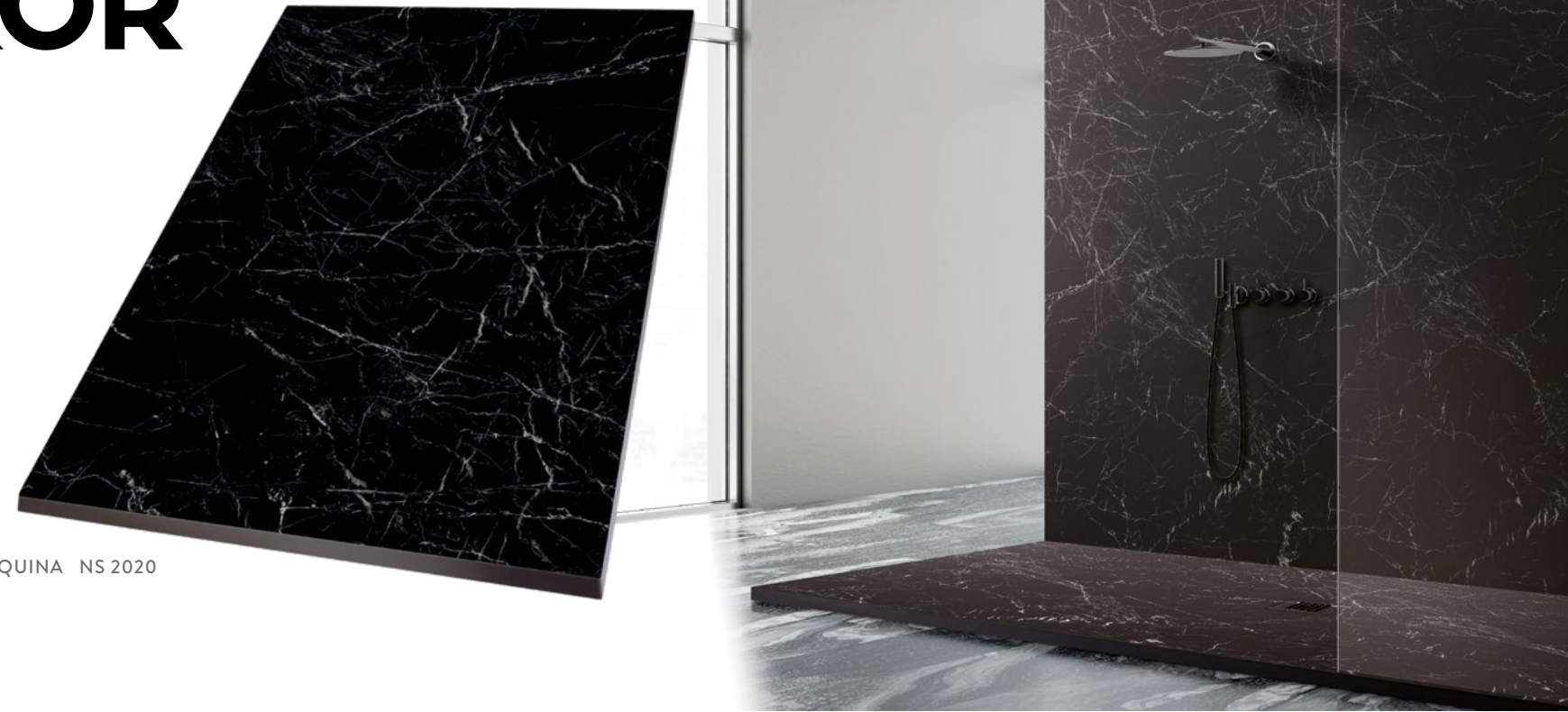
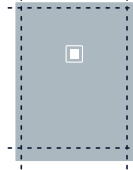


## Nature in your bathroom

The characteristics of the model Nature created a new design by using wood, marble and cement. Decorate your bathroom with the design available from the DEKOR series and make the most of a strong durable material that is easy to clean.

# DEKOR

CAN BE CUT



MARQUINA NS 2020

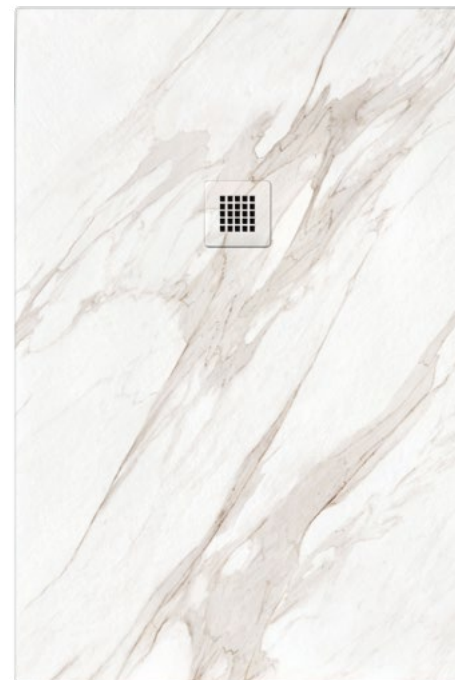
## SIZES

70x	75x	80x	90x	100x	120x
80	90	80	90	100	110
90	100	90	100	110	120
100	110	100	110	120	130
110	120	110	120	130	140
120	130	120	130	140	150
130	140	130	140	150	160
140	150	140	150	160	170
150	160	150	160	170	180
160	170	160	170	180	190
170	180	170	180	190	200
180	190	180	190	200	200
190	200	190	200	220	220
200	220	200	220	240	220
220		220	240		

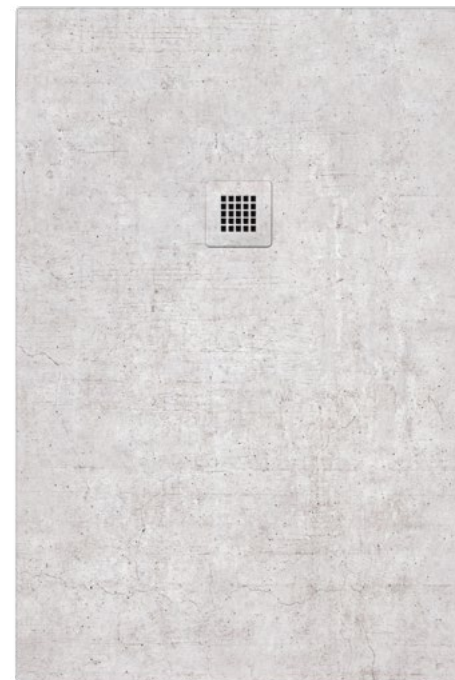
HALIFAX NW 1001



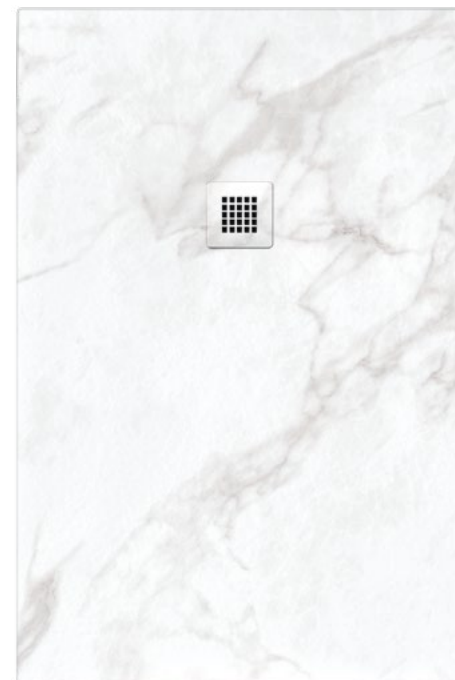
CALACATTA NS 2703



CEMENTO NU 3001



ARABESCO NS 2021



The colour tones of all DEKOR designs can vary caused by many reasons.

		Y															
		80	90	100	110	120	130	140	150	160	170	180	190	200	220	240	
Y	X	70	✓	✓	✓	✓	✓	✓	✓	✓	✓	✓	✓	✓	✓	✓	-
		75	-	✓	✓	✓	✓	✓	✓	✓	✓	✓	✓	✓	✓	✓	-
		80	✓	✓	✓	✓	✓	✓	✓	✓	✓	✓	✓	✓	✓	✓	✓
		90	-	✓	✓	✓	✓	✓	✓	✓	✓	✓	✓	✓	✓	✓	✓
		100	-	-	✓	✓	✓	✓	✓	✓	✓	✓	✓	✓	✓	✓	✓
	120	-	-	-	✓	✓	✓	✓	✓	✓	✓	✓	✓	✓	✓	-	



STAINLESS STEEL DEKOR GRATING INCLUDED



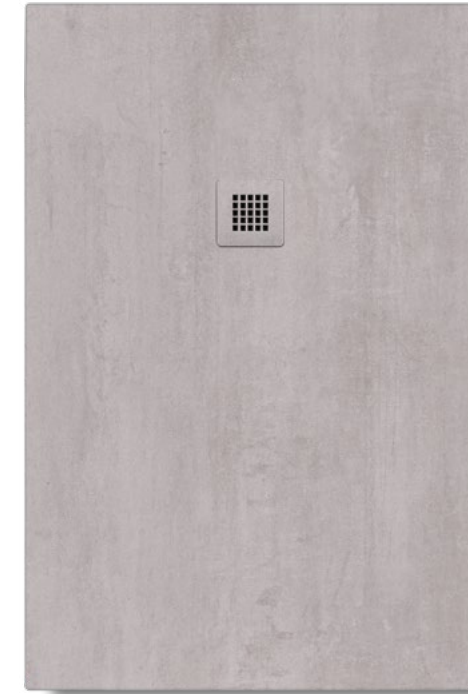
WASTE SIPHON (HORIZONTAL OUTLET) NOT INCLUDED



ZAHA NS 2025



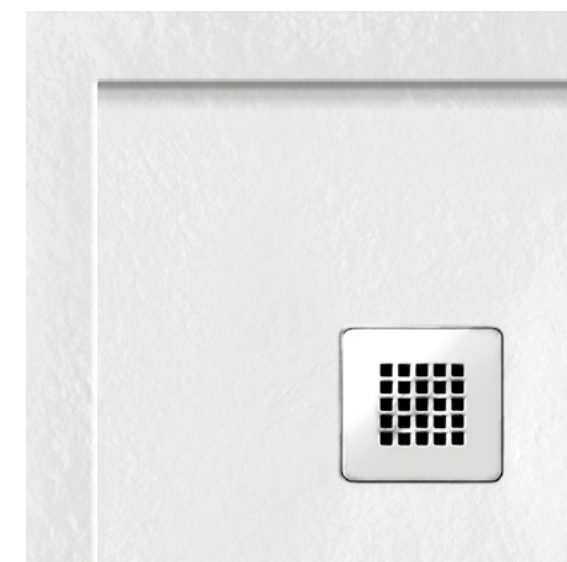
DARK NOGAL NW 1022



MICROCEMENTO NU 3500



# MARCO



## Adaptable design

The Marco shower tray is adaptable and its exterior frame ensures a maximum secure, watertight seal.

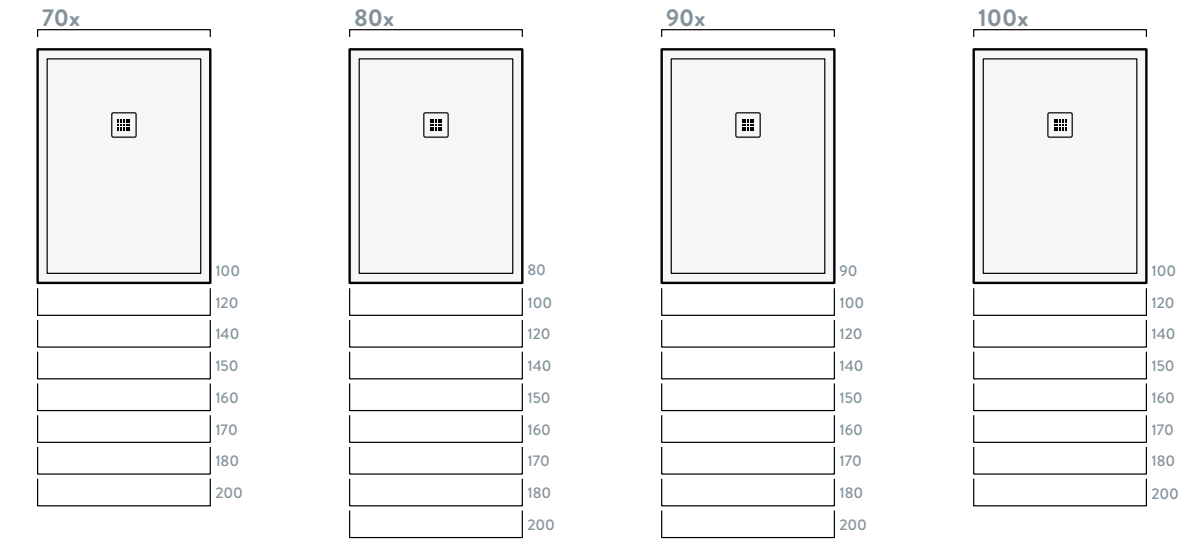
# MARCO



## STANDARD COLOURS



## SIZES



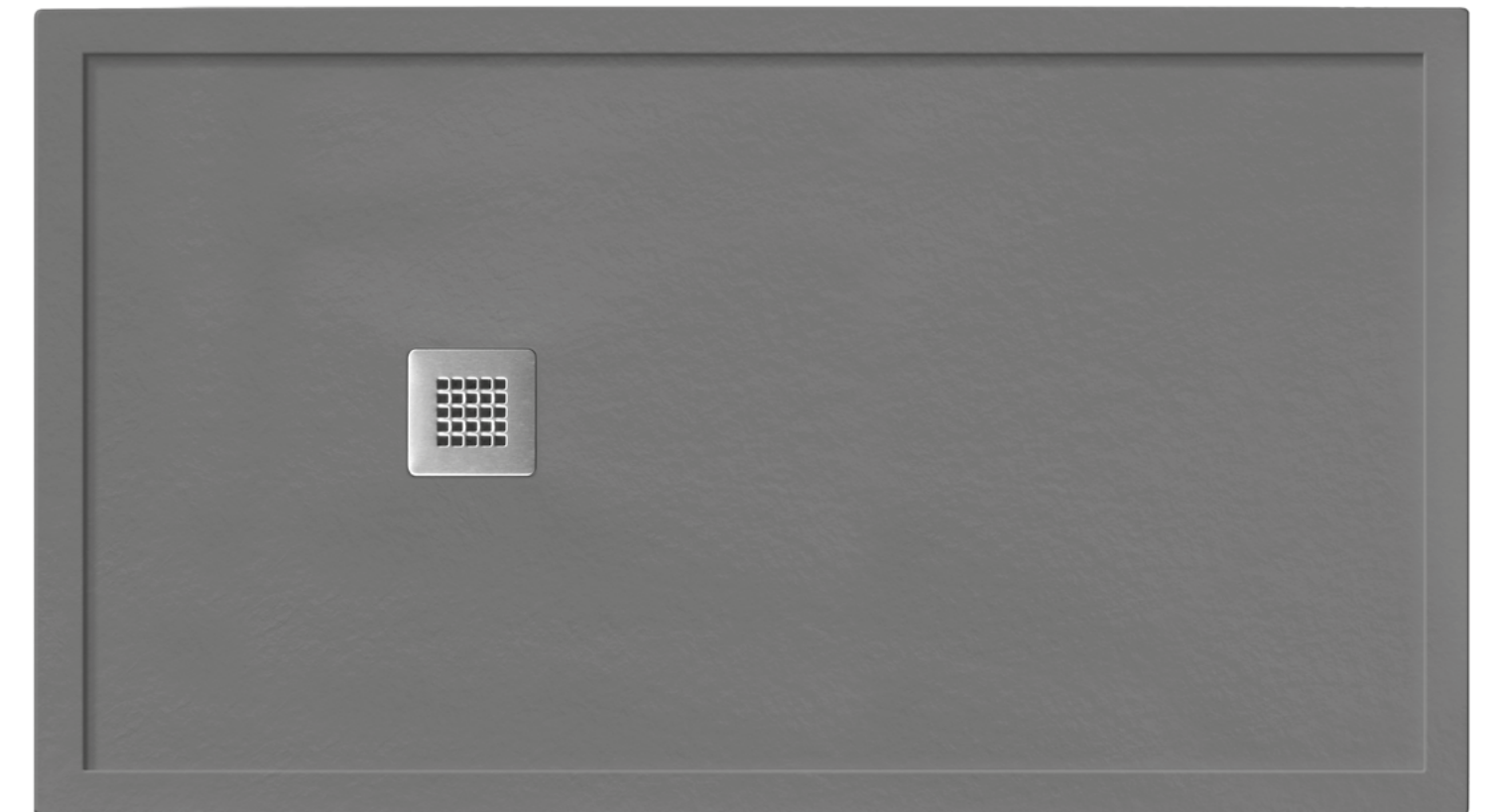
		Y									
X		80	90	100	120	140	150	160	170	180	200
Y	70	-	-	✓	✓	✓	✓	✓	✓	✓	✓
	80	✓	-	✓	✓	✓	✓	✓	✓	✓	✓
	90	-	✓	✓	✓	✓	✓	✓	✓	✓	✓
	100	-	-	✓	✓	✓	✓	✓	✓	✓	✓



STAINLESS STEEL GRATING INCLUDED



WASTE SIPHON (HORIZONTAL OUTLET) NOT INCLUDED







# NEO

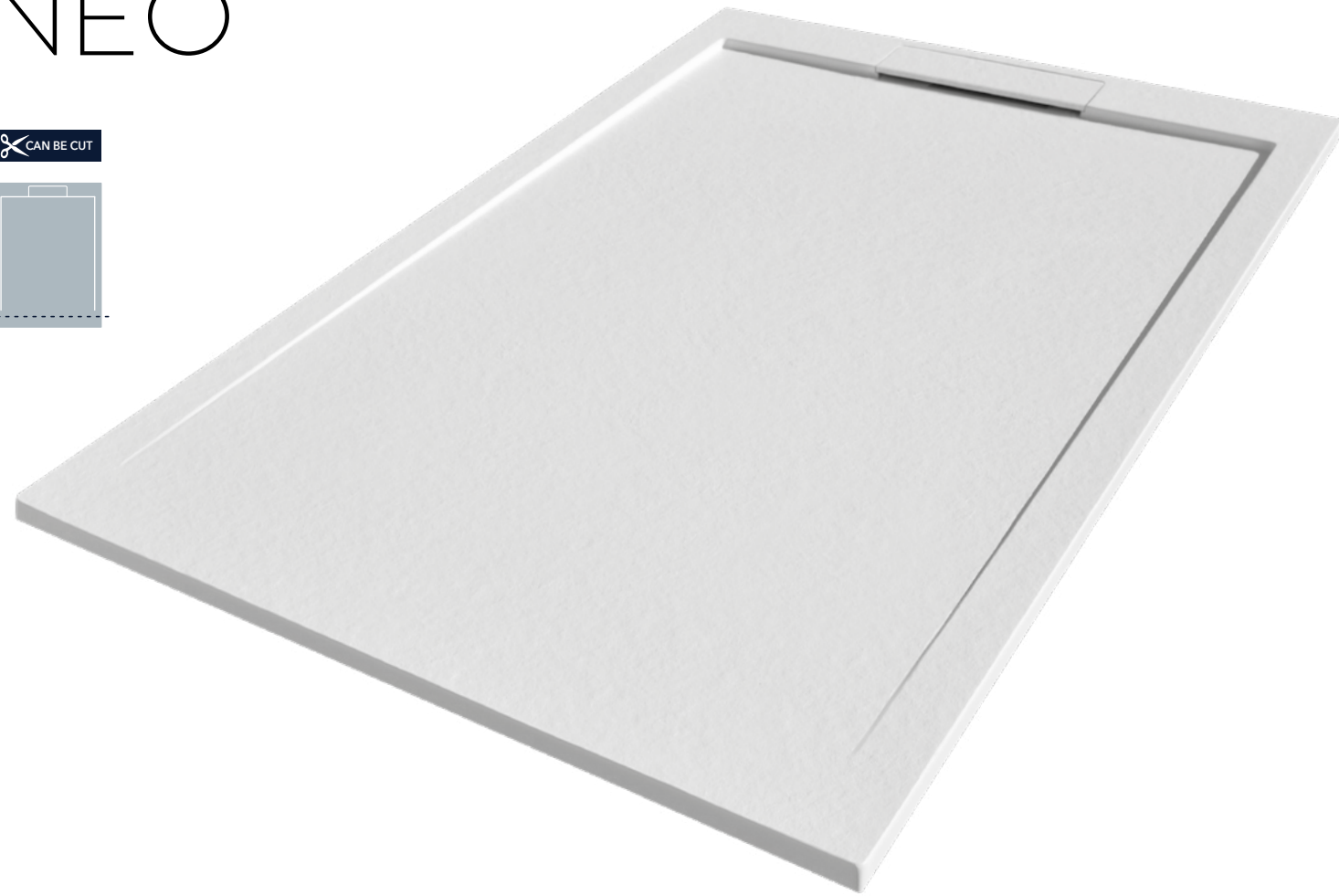
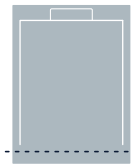


## Trendy design

This series is a variation of the conventional shower tray.

# NEO

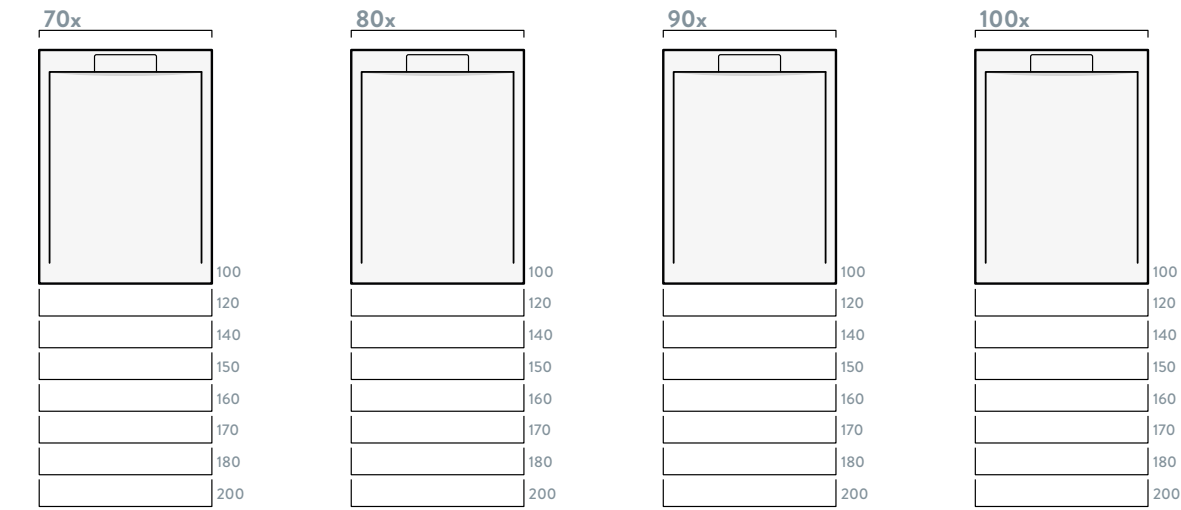
CAN BE CUT



## STANDARD COLOURS



## SIZES




RESIN COVER 300




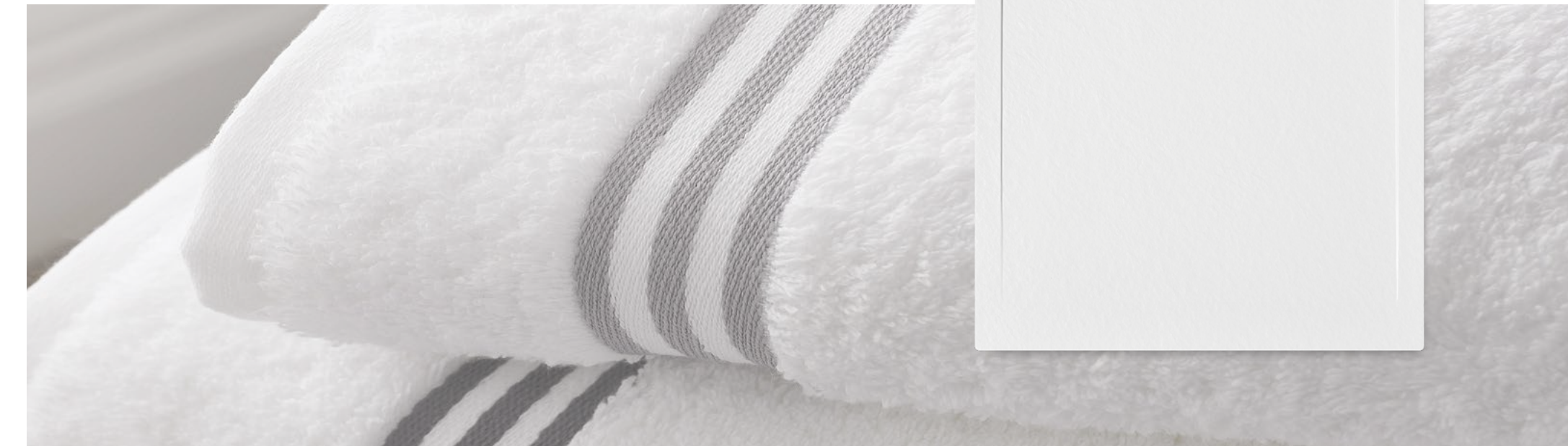
SIPHON FOR RECTANGULAR OUTLET



X	Y							
	100	120	140	150	160	170	180	200
70	✓	✓	✓	✓	✓	✓	✓	✓
80	✓	✓	✓	✓	✓	✓	✓	✓
90	✓	✓	✓	✓	✓	✓	✓	✓
100	✓	✓	✓	✓	✓	✓	✓	✓

 RESIN COVER 300 INCLUDED

 WASTE SIPHON (RECTANGULAR OUTLET) NOT INCLUDED





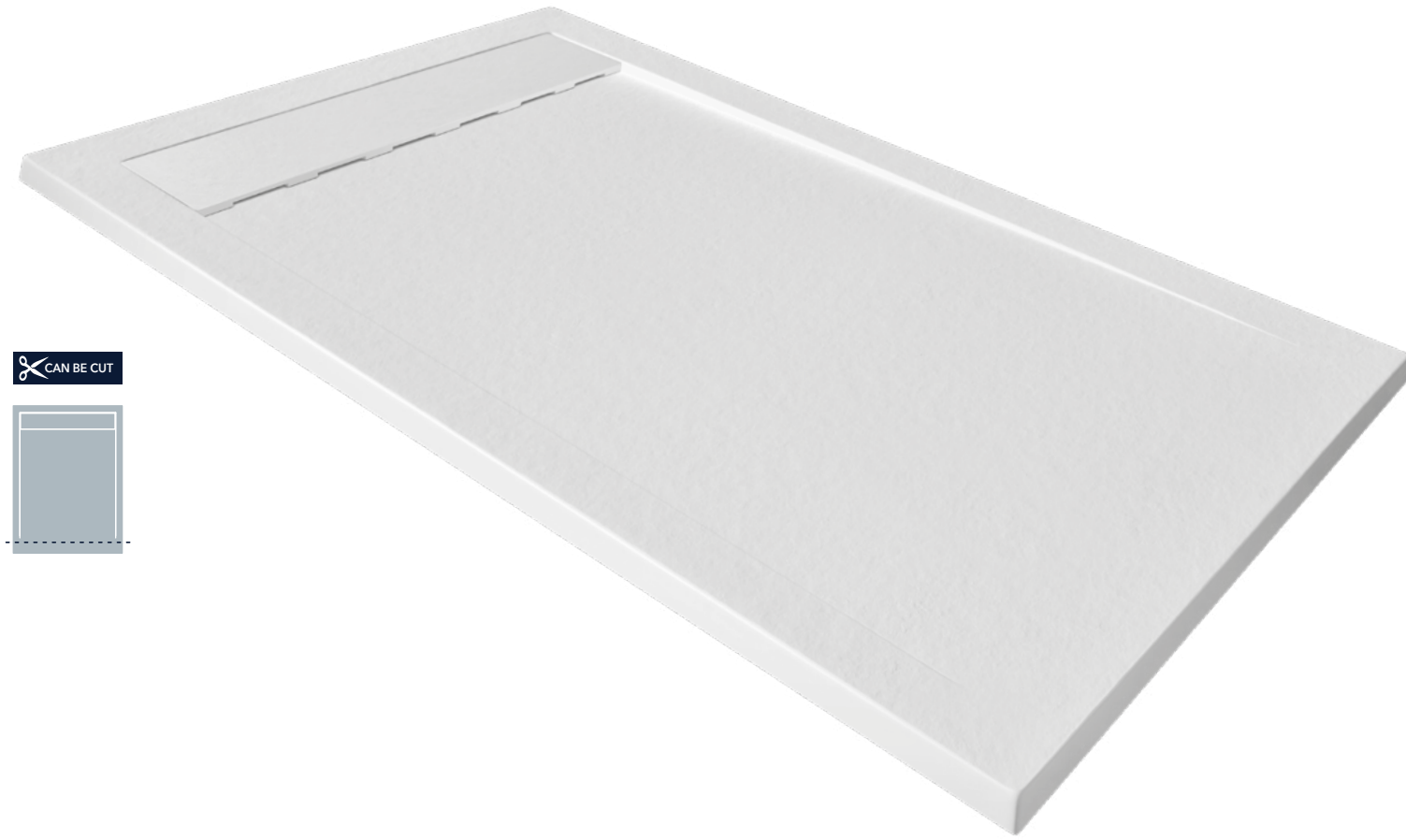
# PREMIUM



## Modern Design

Straight perfectly defined features with a resin cover that gives the design of the bathroom lines a modern touch.

# PREMIUM



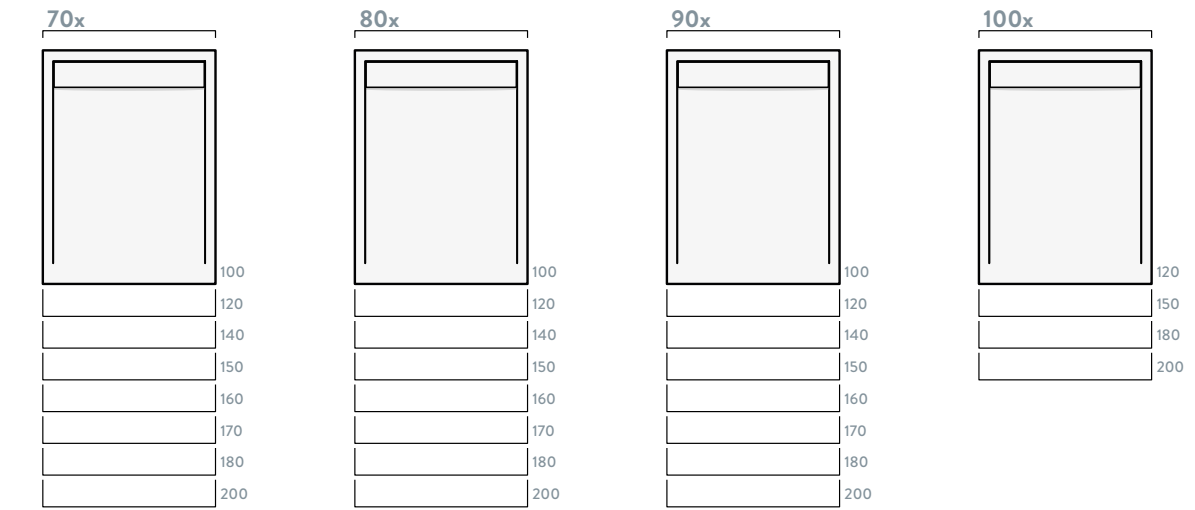
CAN BE CUT



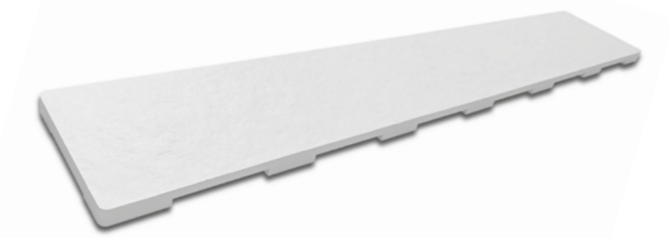
## STANDARD COLOURS



## SIZES



RECTANGULAR RESIN COVER INCLUDED



STAINLESS STEEL GRATING OPTION AVAILABLE



OPTIONAL STAINLESS STEEL GRATING



X	Y							
	100	120	140	150	160	170	180	200
70	✓	✓	✓	✓	✓	✓	✓	✓
80	✓	✓	✓	✓	✓	✓	✓	✓
90	✓	✓	✓	✓	✓	✓	✓	✓
100	-	✓	-	✓	-	-	✓	✓



RECTANGULAR RESIN COVER INCLUDED

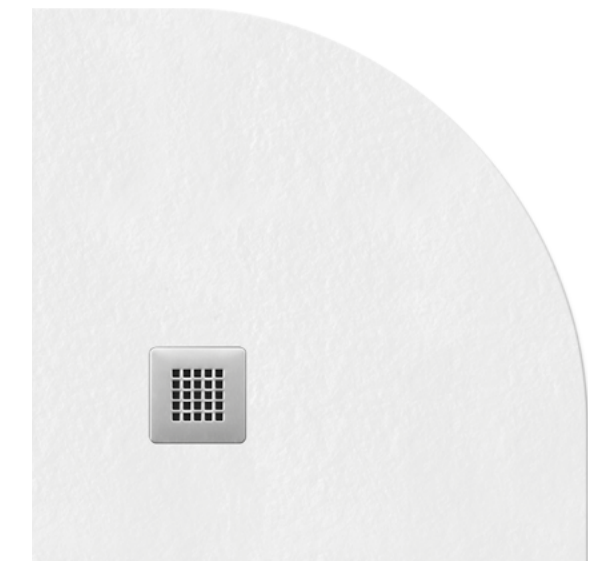


WASTE SIPHON (HORIZONTAL OUTLET) NOT INCLUDED





# NATURE CURVE

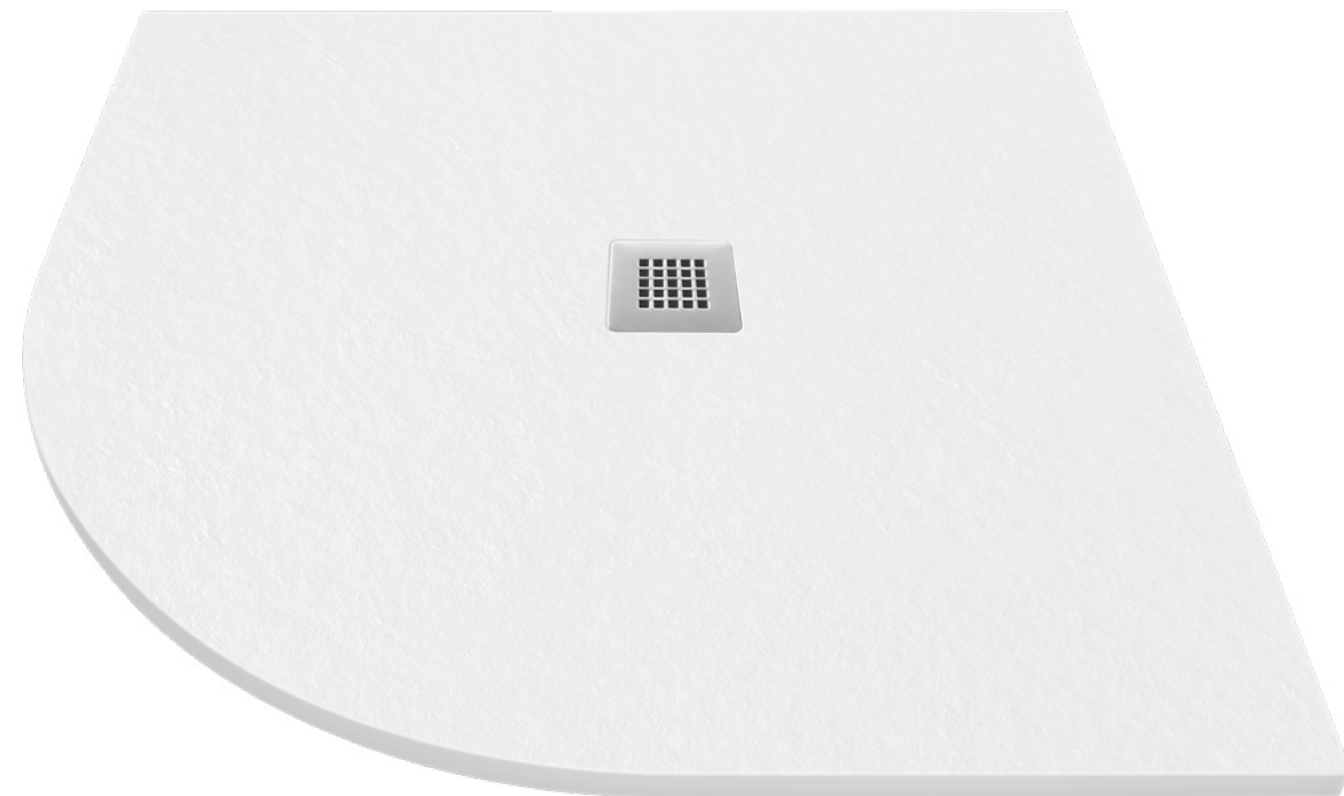
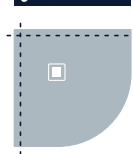


## Small spaces

Nature Curve has a design that is perfect for bathrooms where the essential factor is making the most of the available space. Its curve enables fitting it close to other bathroom elements and still be functional.

# NATURE CURVE

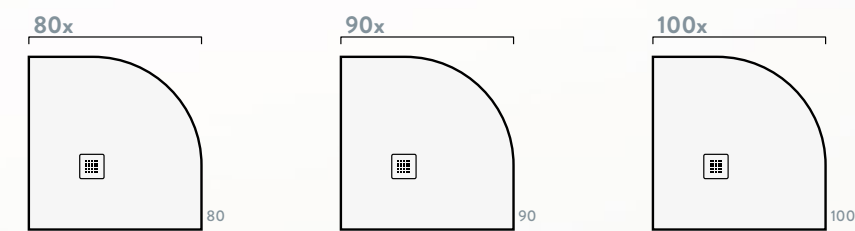
CAN BE CUT



## STANDARD COLOURS



## SIZES



STAINLESS STEEL GRATING INCLUDED

X	Y		
	80	90	100
80	✓	-	-
90	-	✓	-
100	-	-	✓



STAINLESS STEEL GRATING INCLUDED



WASTE SIPHON (HORIZONTAL OUTLET) NOT INCLUDED



# Bathtubs

Every product that is made of Mineral Composite contains at least 75% of dolomite. A Nano Coat layer protects the surface. The material is distinguished for having all the properties of the dolomite rock and it has also been reinforced with a flexible resin binding agent that makes it more resistant to mechanical loads, impact and effects of high and low temperatures.

The products made of this mineral composite maintain the optimum temperature for a long time.

Thanks to the high resistance and durability of the surface that is protected by a Nano Coat layer, the product stays smooth and pleasant. The mineral composite stops the growth of bacteria and does not absorb water or chemicals, which ensures a long-lasting quality and an easy maintenance of the surface.

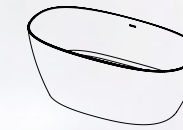
## CHARACTERISTICS OF ALL OUR BATHTUBS

COMPOSITION	EXTERIOR LAYER	TEXTURE
Polyester resin and the latest mineral fillers	Durable antislip Gel Coat	Matt white smooth finish

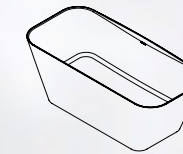
All the models come with legs (only when they are necessary), siphon and waste outlet

 STANDARD SIZE	 ERGONOMIC SHAPE
 IMPACT RESISTANT	 EASY TO CLEAN
 EASY TO REPAIR	 NON-POROUS
 MAINTAINS THE HEAT	 ANTIBACTERIAL
 EASY INSTALLATION	 QUALITY RAW MATERIAL

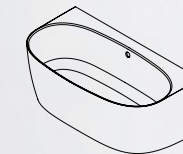
FREYA 160



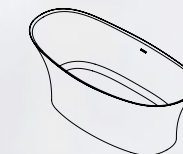
DAFNE 168



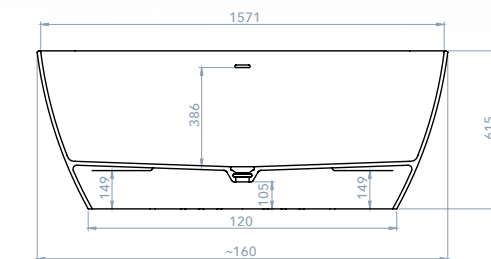
BECCA 158



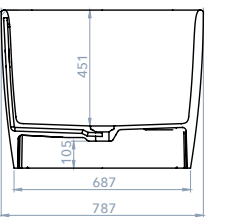
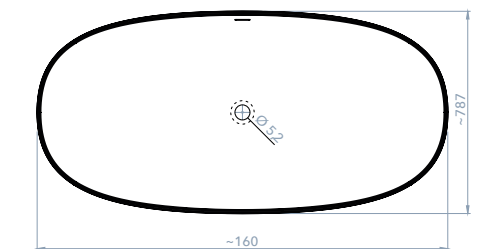
SILK 170



# FREYA

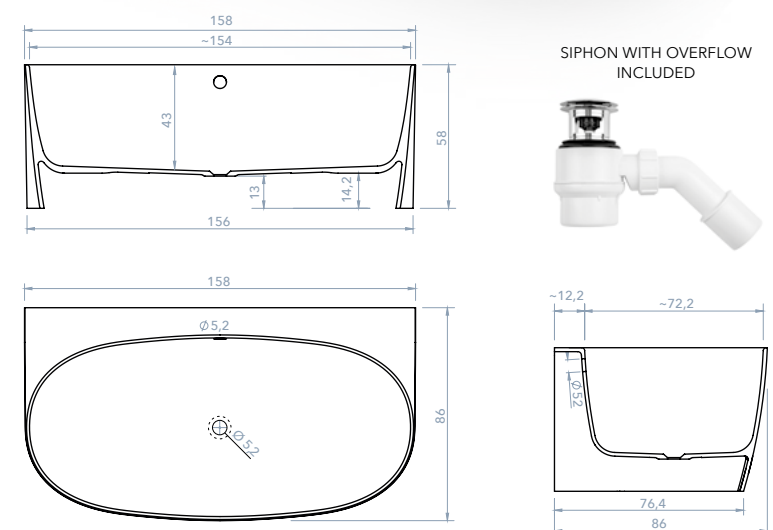
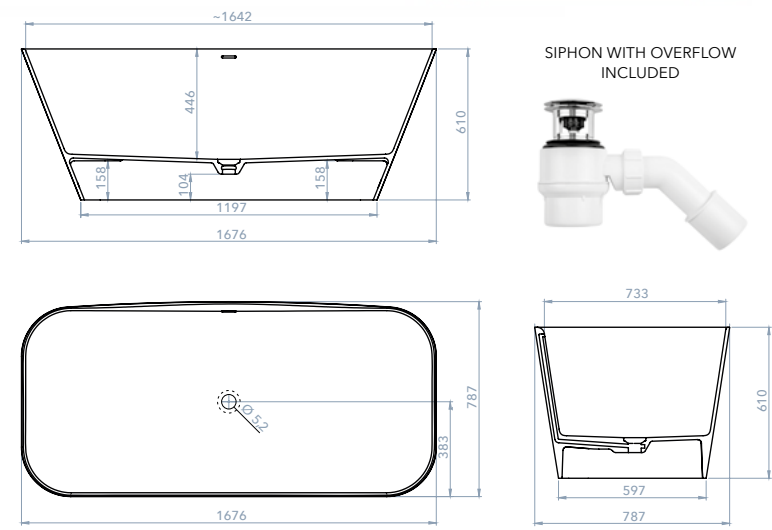


SIPHON WITH OVERFLOW INCLUDED



# DAFNE

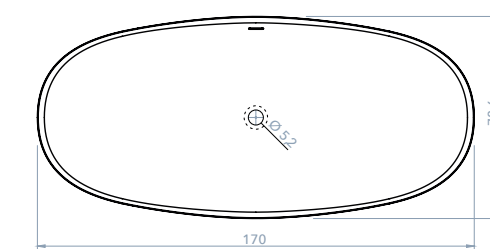
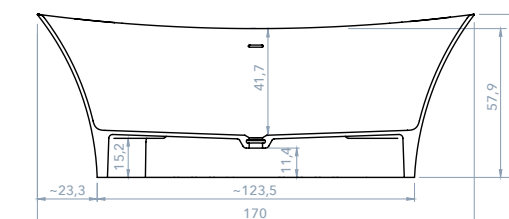
# BECCA



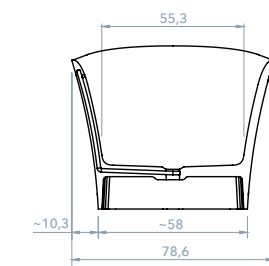




# SILK









SIPHON WITH OVERFLOW INCLUDED



# Wall panels

The polycarbonate wall panels are ideal when a bathtub is replaced by a shower tray, no building work is required and they can be used to cover all the bathroom walls.

-  STANDARD SIZES
-  IMPACT RESISTANT
-  EASY INSTALLATION
-  NON-POROUS
-  ANTIBACTERIAL
-  EASY TO CLEAN

Panels DEKOR Microcemento 3500 / Shower tray DEKOR Microcemento 3500 / Washbasin TOP



# Standard characteristics and DEKOR

The POLYCARBONATE wall panels are 6 mm thick.

They are the ideal solution to replace a bathtub for a shower tray and no building work is required.

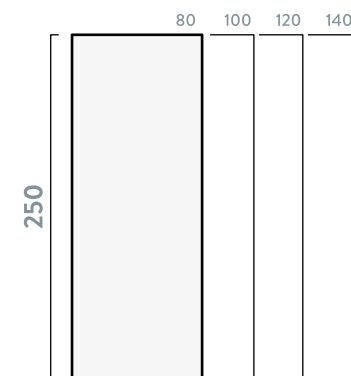
Flat finish with a slightly sandy granulated effect. They are waterproof and water-repellent, so they improve insulation and guarantee protection against moisture and dampness. They can be easily cut, if their size has to be adjusted to fit them on the walls. They are practically unbreakable because they are quite flexible and extremely light, which means that a large panel can be held up and fit by just one person. As they are so light they are perfect to fit on drywall surfaces that do not support heavy loads.

The colour tones of all DEKOR designs can vary caused by many reasons.

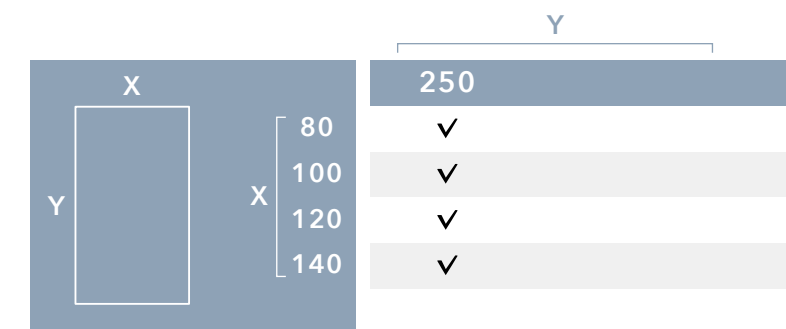


**PEGOLAND® ELASTIC**  
PRODUCT RECOMMENDED FOR PERFECT ADHESION

SIZES

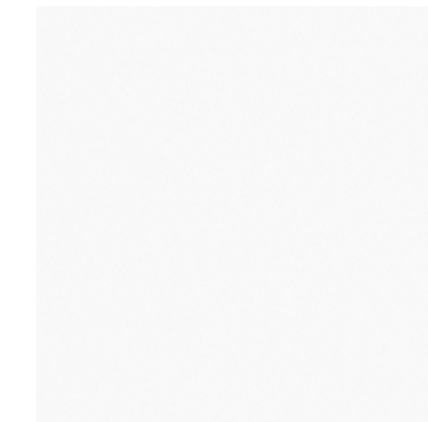


TOLERANCE OF ~2mm



## STANDARD COLOURS

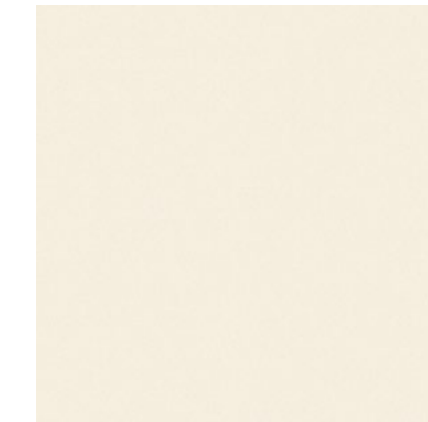
WHITE RAL 9003



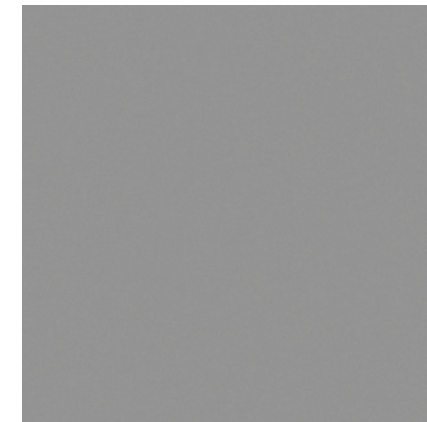
GRAPHITE RAL 7016



BEIGE RAL 9001



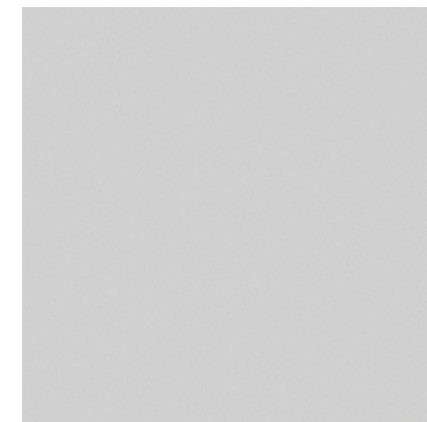
GREY RAL 7037



MOKA RAL 1001



PEARL GREY RAL 7035



# Wall panels **DEKOR**

HALIFAX PW 1001



CALACATTA PS 2703



MARQUINA PS 2020



CEMENTO PU 3001



ARABESCO PS 2021



ZAHA PS 2025



DARK NOGAL PW 1022



MICROCEMENTO PU 3500

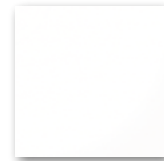


# Washbasins Standard

The ideal solution for your bathroom

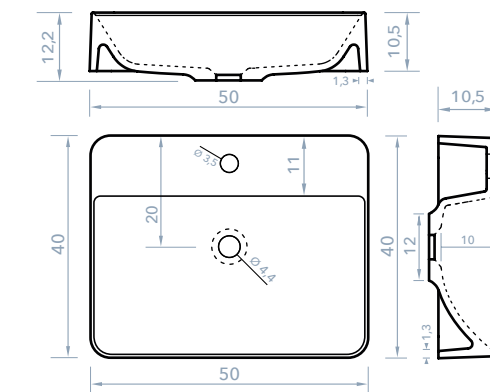
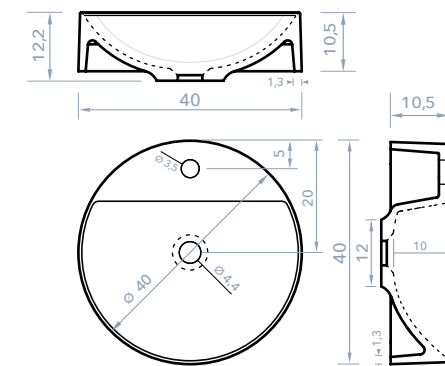
The bathroom standard vanity tops and washbasins are made of top quality materials and finishes. They are produced very fast, hence a speedy service. They are made of resins and mineral fillers.. They are non-porous and seamless, which gives them a clean and durable surface.

## STANDARD COLOUR



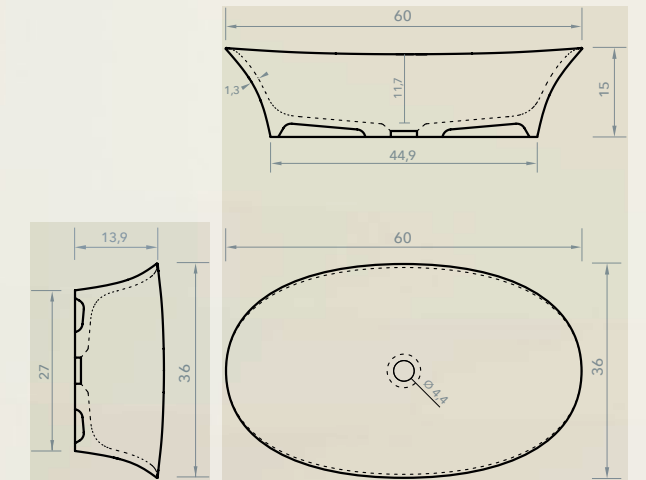
**WHITE 9003**  
SMOOTH SURFACE

-  STANDARD SIZES
-  IMPACT RESISTANT
-  EASY TO REPAIR
-  QUALITY RAW MATERIAL
-  EASY TO CLEAN
-  NON-POROUS
-  ANTIBACTERIAL

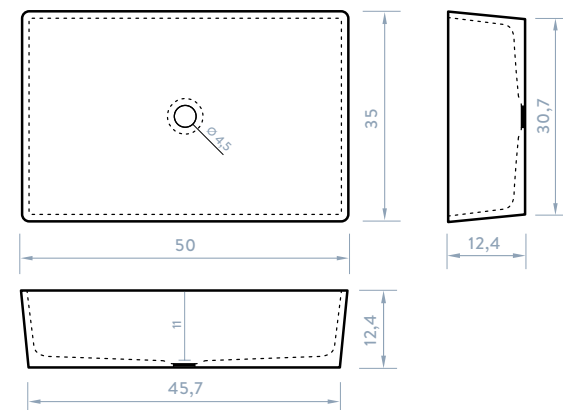


# CLOE

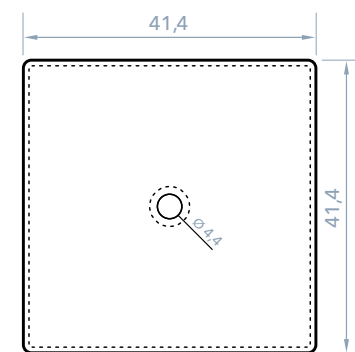
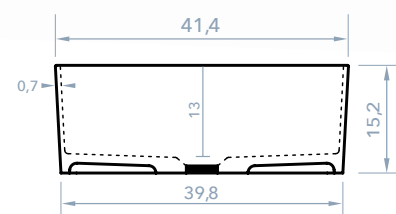
Due to its soft lines the washbasin CLOE combined with the bathtub SILK gives the bathroom a unique, elegant and timeless style.



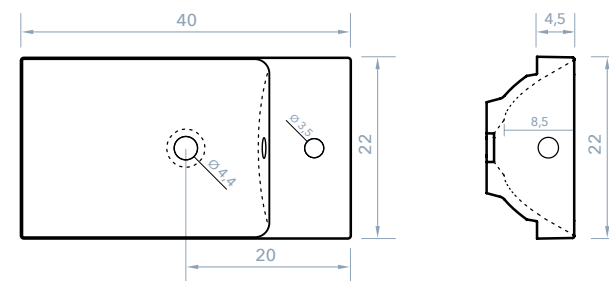
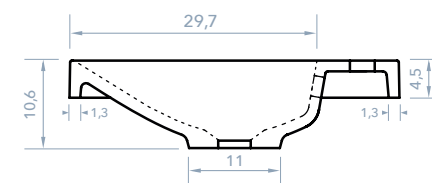
# ATHOS



# CYRO

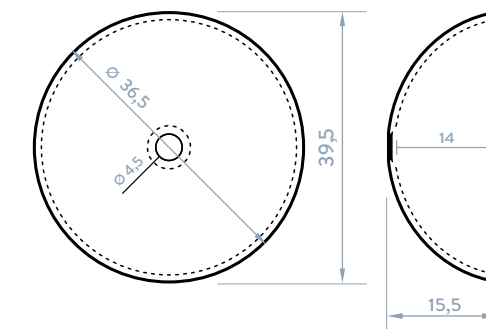


# KUMI

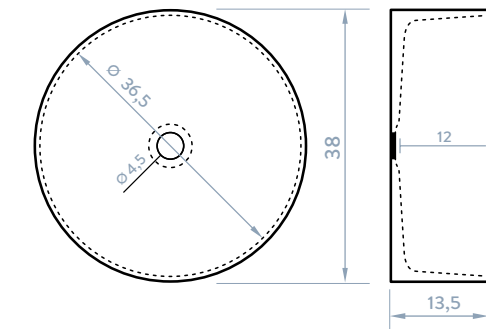


BRACKETS / TOWEL HOLDERS for washbasin KUMI  
(chrome finish metallic bracket)

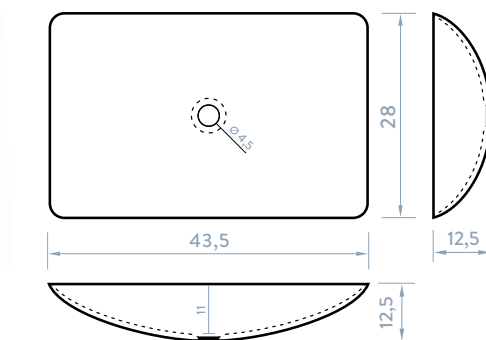
# TOP



# CIRCUS



# ENZO



# Bathroom vanity tops

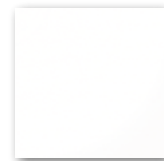
## CUSTOMIZED

The ideal solution for your bathroom

Solid surface style customized bathroom vanity tops are available in a variety of formats so customers can create a unique piece that adapts to any space and situation. They are made of resin and mineral loads with a Gel Coat exterior layer that makes them extremely hard and impact resistant. They have a non-porous, seamless surface, which protects from moisture and mould and create a strong and durable surface.

-  CUSTOM MADE
-  IMPACT RESISTANT
-  EASY TO REPAIR
-  QUALITY RAW MATERIAL
-  EASY TO CLEAN
-  NON-POROUS
-  ANTIBACTERIAL





### STANDARD COLOUR



**WHITE 9003**

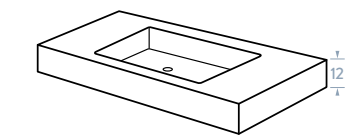
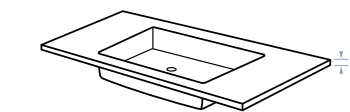
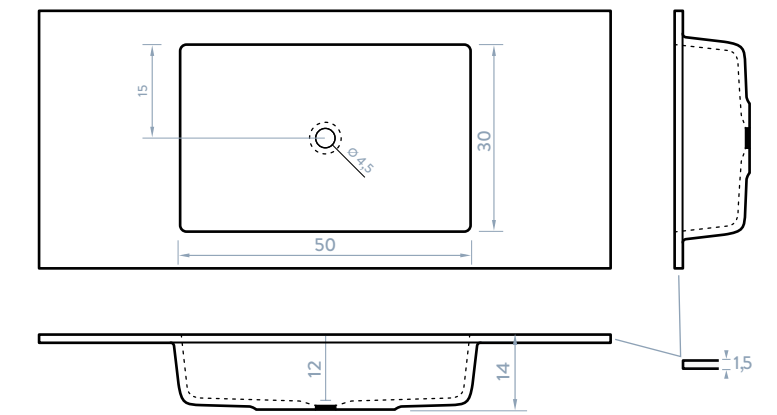
**SMOOTH SURFACE**  
Ask for slate finish RAL coloursx

### OPTIONS

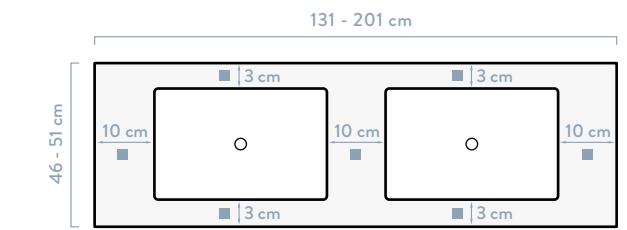
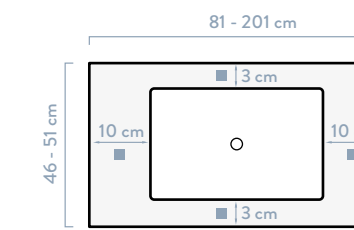
-  **TOWEL HOLDER**
-  **TAP HOLE**
-  **OVERFLOW**
-  **SKIRTING**



## FORMAS



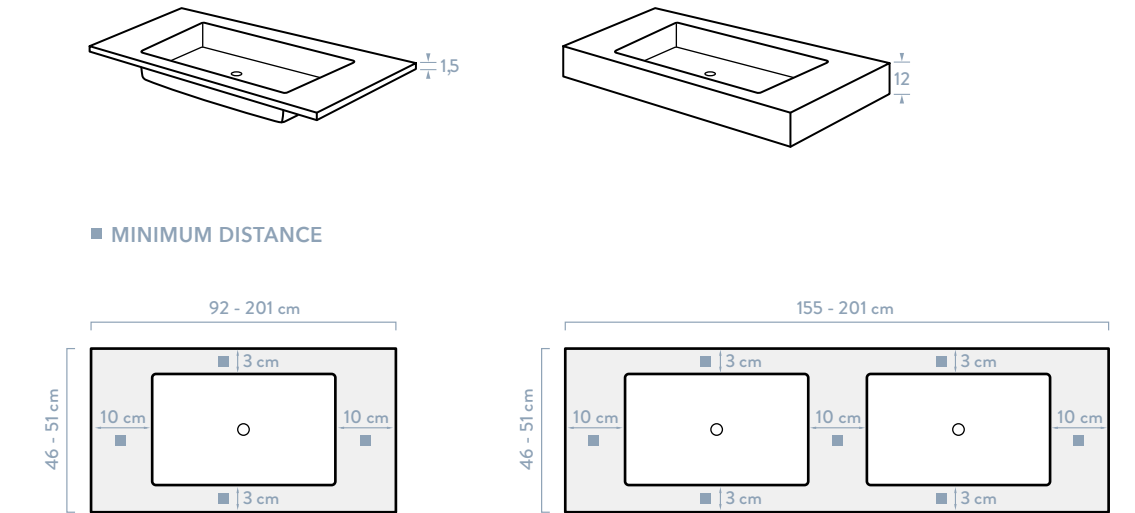
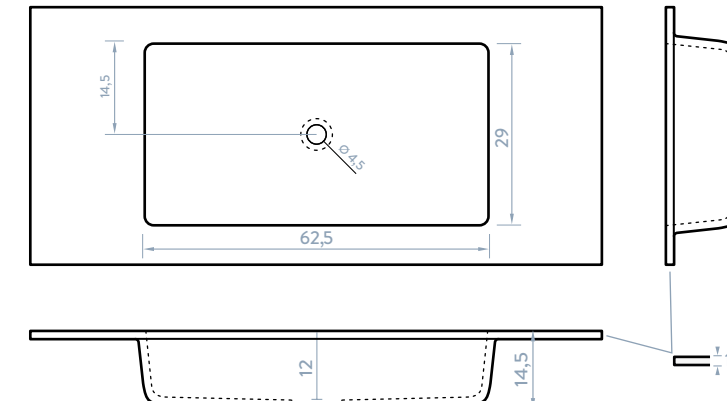
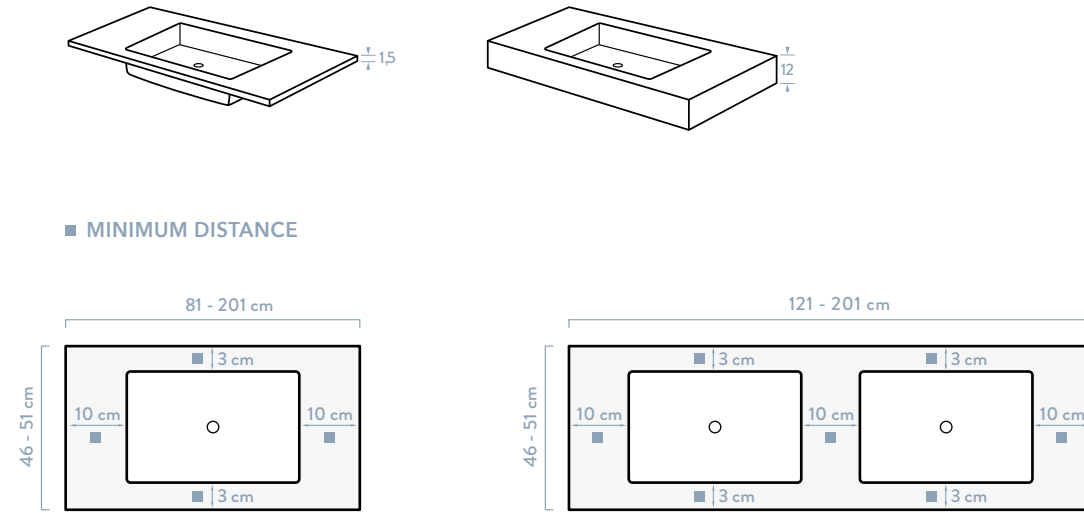
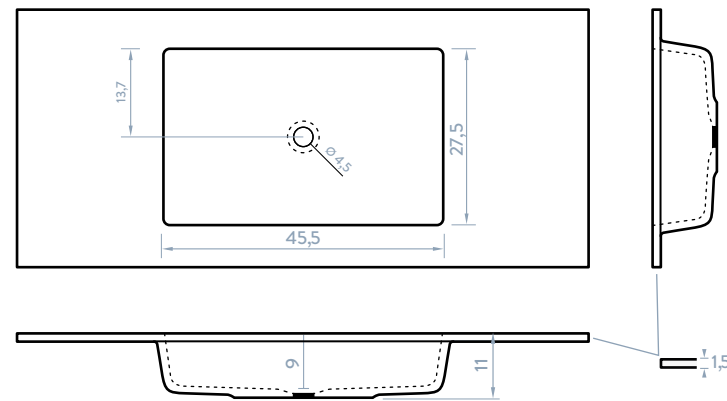
### ■ MINIMUM DISTANCE



# IDEAL



# IBIZA

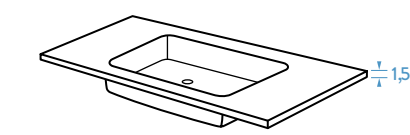
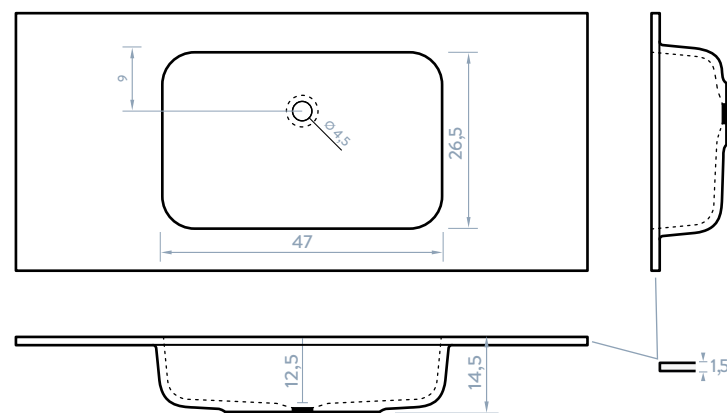




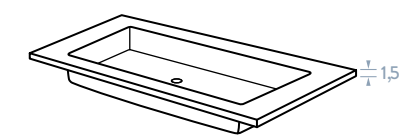
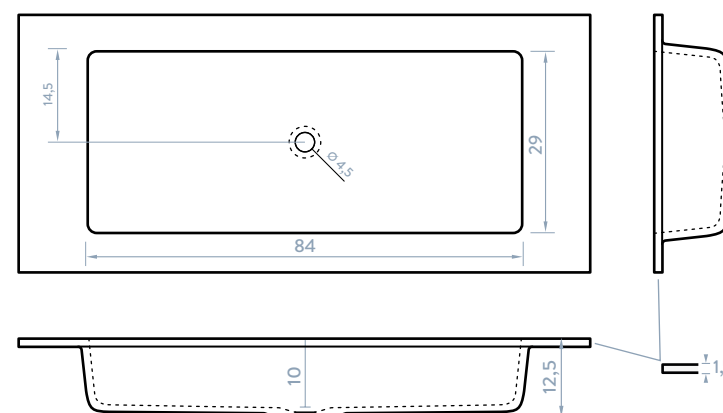
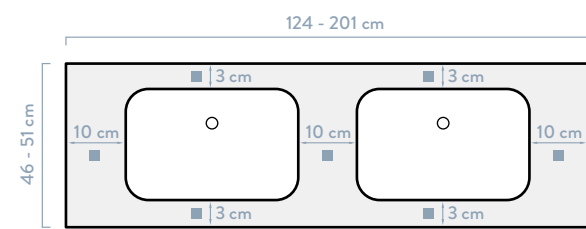
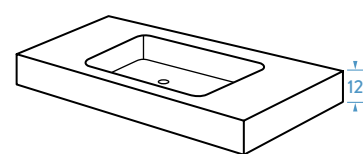
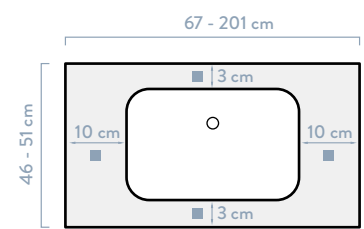
# ILLICE



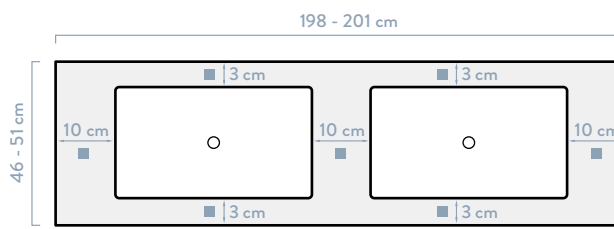
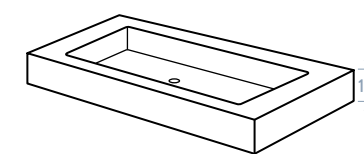
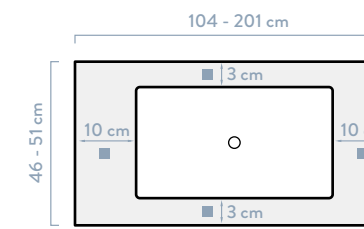
# IOS



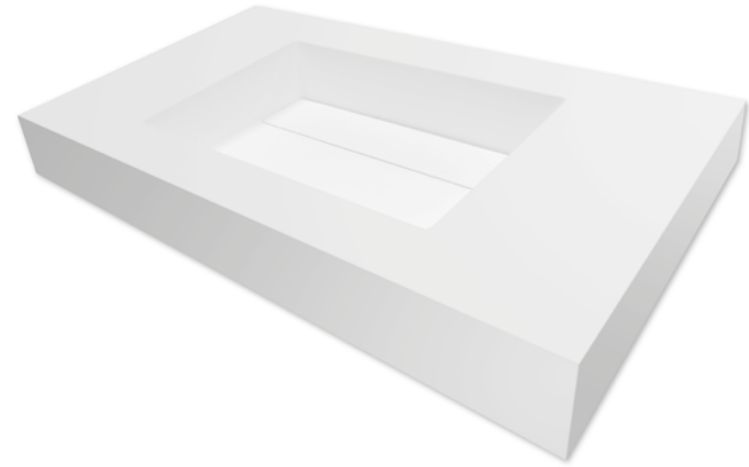
■ MINIMUM DISTANCE



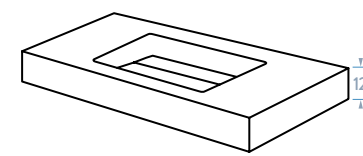
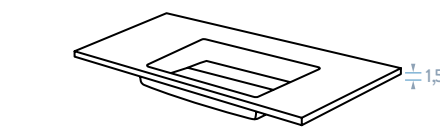
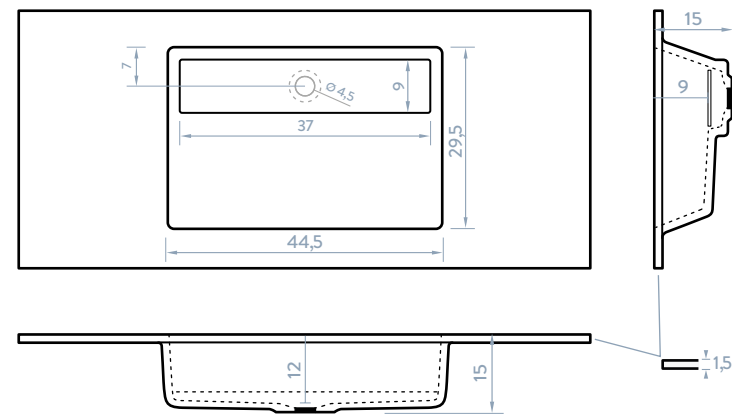
■ MINIMUM DISTANCE



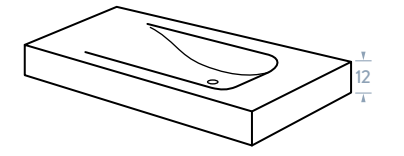
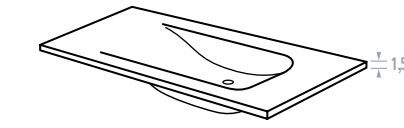
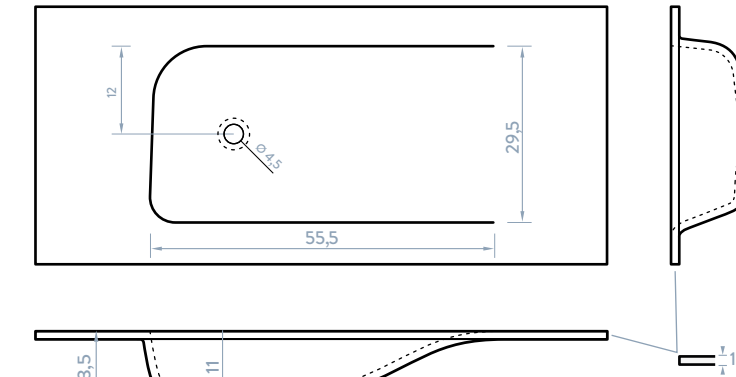
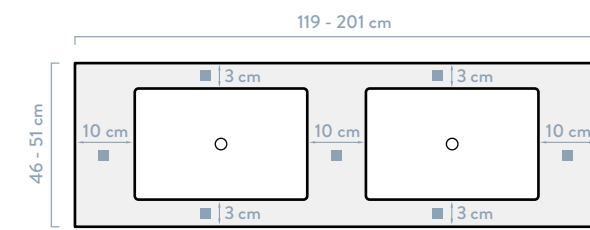
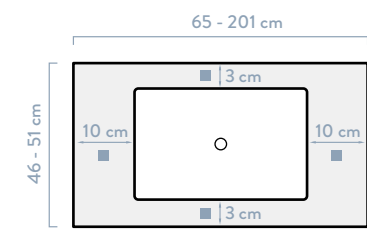
# MIAMI



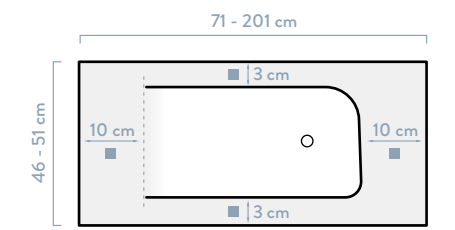
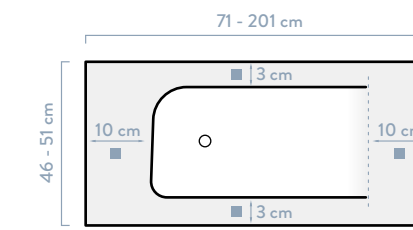
# OLA



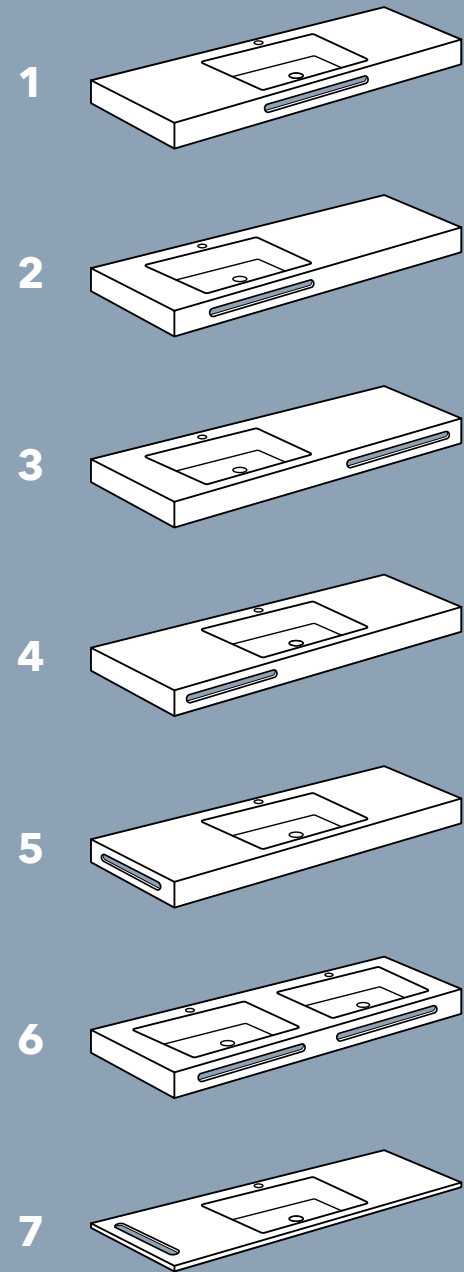
■ MINIMUM DISTANCE



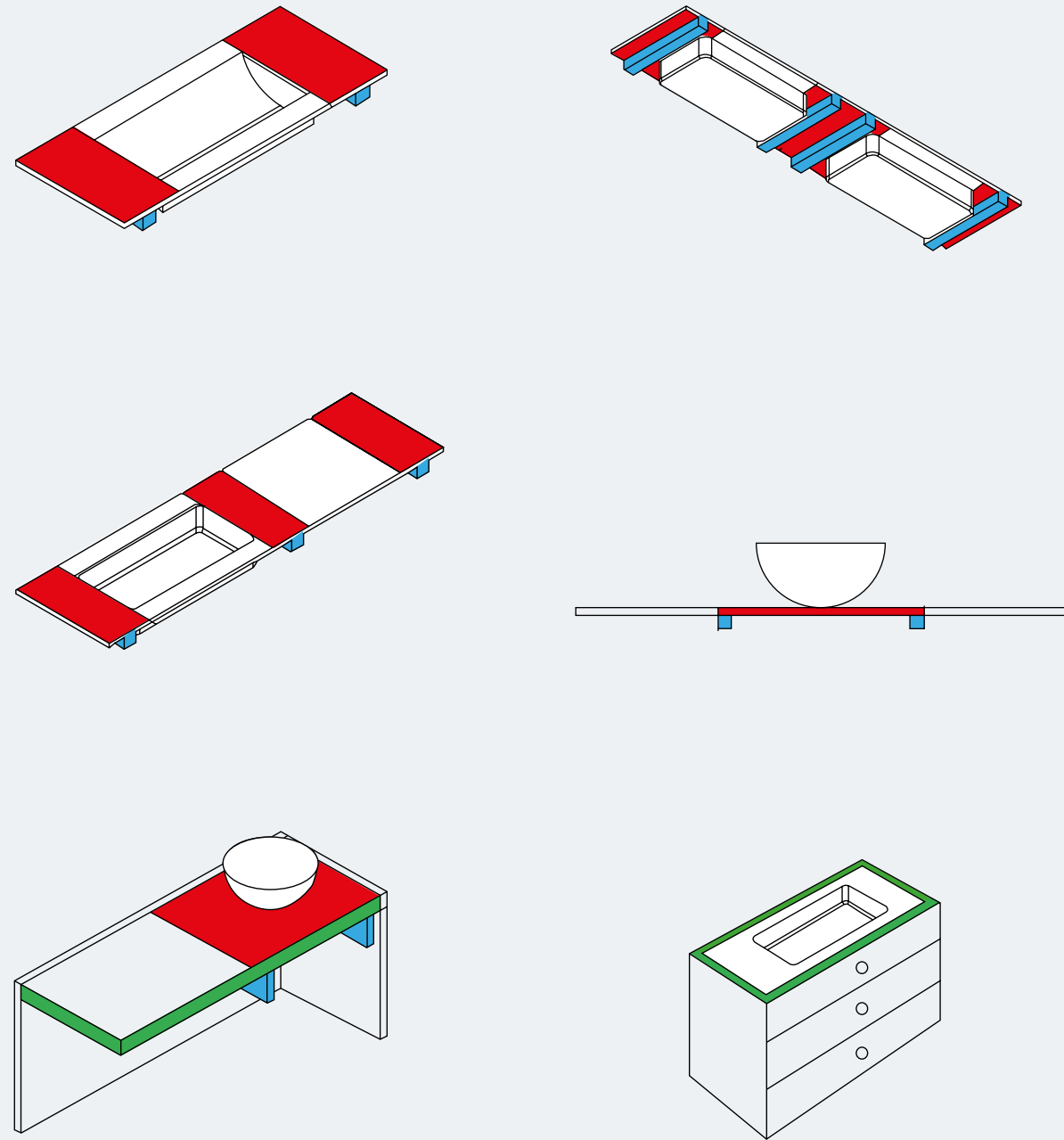
■ MINIMUM DISTANCE



## TOWEL HOLDER OPTION

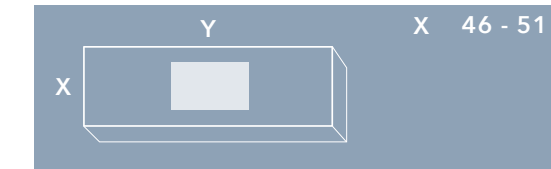


## Vanity top installing



## Bathroom vanity tops **custom made**

### WITH SKIRTING / 1 WASHBASIN



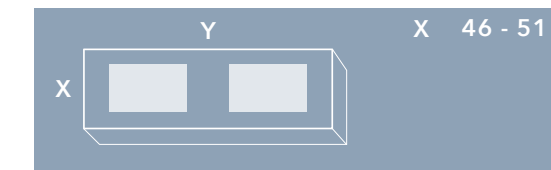
Y														
61	71	81	91	101	121	141	151	161	171	181	191	201	231	251
✓	✓	✓	✓	✓	✓	✓	✓	✓	✓	✓	✓	✓	✓	✓

### WITHOUT SKIRTING / 1 WASHBASIN



Y														
61	71	81	91	101	121	141	151	161	171	181	191	201	231	251
✓	✓	✓	✓	✓	✓	✓	✓	✓	✓	✓	✓	✓	✓	✓

### WITH SKIRTING / 2 WASHBASINS



Y														
61	71	81	91	101	121	141	151	161	171	181	191	201	231	251
-	-	-	-	-	✓	✓	✓	✓	✓	✓	✓	✓	✓	✓

### WITHOUT SKIRTING / 2 WASHBASINS



Y														
61	71	81	91	101	121	141	151	161	171	181	191	201	231	251
-	-	-	-	-	✓	✓	✓	✓	✓	✓	✓	✓	✓	✓

# Shelves customized

## Solution and design

The solid surface style customized floating shelves are made of resin and mineral fillers, they are non-porous and seamless. They are the ideal accessory to go with washbasin models such as Top, Cloe, Cyro, etc.

-  CUSTOM MADE
-  IMPACT RESISTANT
-  EASY TO REPAIR
-  QUALITY RAW MATERIAL
-  EASY TO CLEAN
-  NON-POROUS
-  ANTIBACTERIAL

### STANDARD COLOUR



**WHITE 9003**  
FLAT SURFACE

### OPTIONS



**TOWEL HOLDER**



**TAP HOLE**



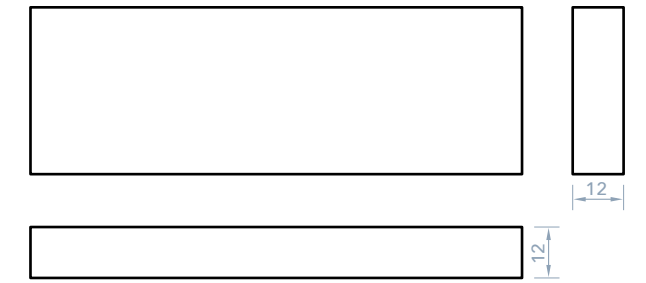
**OVERFLOW**



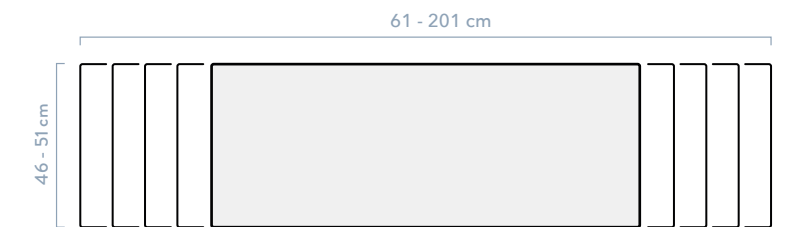
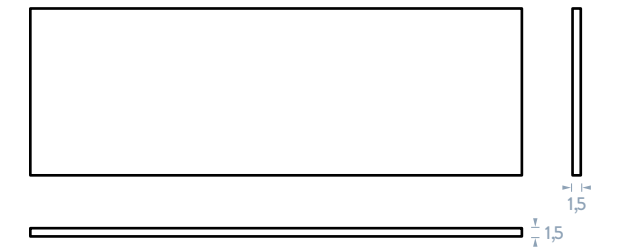
**SKIRTING**

## STANDARD

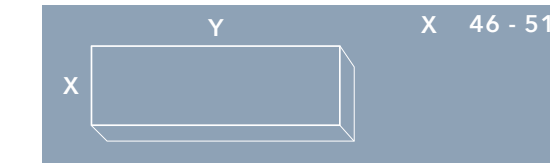
WITH SKIRTING



WITHOUT SKIRTING



WITH SKIRTING



		Y												
		61	71	81	91	101	121	141	151	161	171	181	191	201
X	46 - 51	✓	✓	✓	✓	✓	✓	✓	✓	✓	✓	✓	✓	✓

WITHOUT SKIRTING

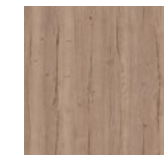


		Y												
		61	71	81	91	101	121	141	151	161	171	181	191	201
X	46 - 51	✓	✓	✓	✓	✓	✓	✓	✓	✓	✓	✓	✓	✓



# DEKOR

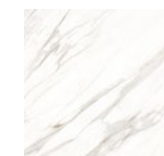
HALIFAX  
RW 1001



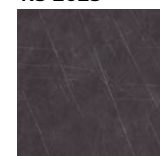
ARABESCO  
RS 2021



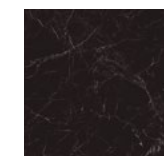
CALACATTA  
RS 2703



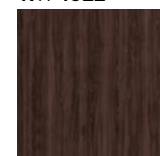
ZAHA  
RS 2025



MARQUINA  
RS 2020



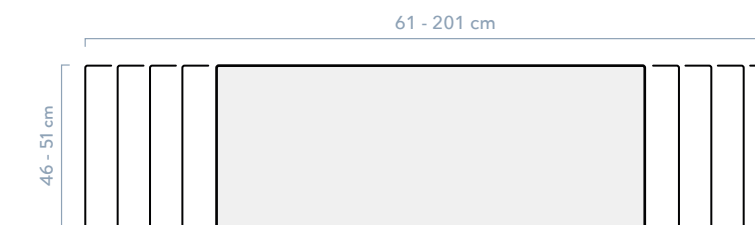
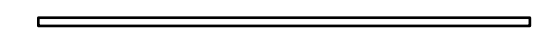
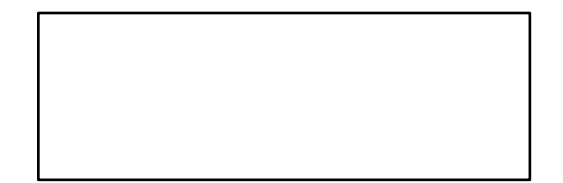
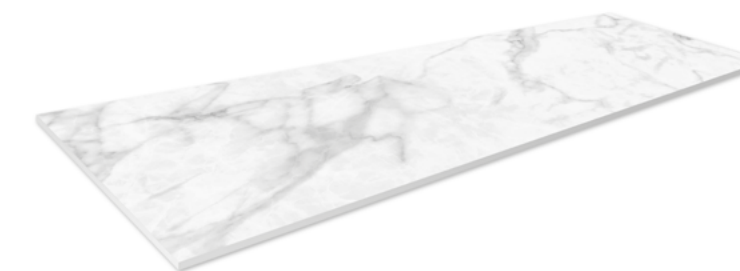
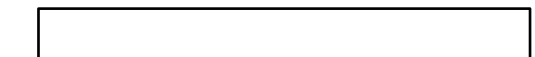
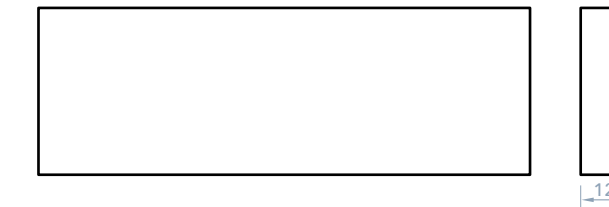
DARK NOGAL  
RW 1022



CEMENTO  
RU 3001

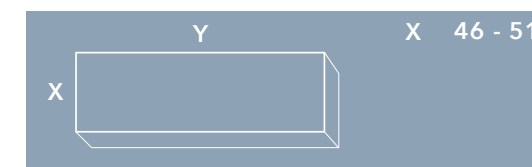


MICROCEMENTO  
RU 3500



The colour tones of all DEKOR designs can vary caused by many reasons.

## WITH SKIRTING



Y												
61	71	81	91	101	121	141	151	161	171	181	191	201
✓	✓	✓	✓	✓	✓	✓	✓	✓	✓	✓	✓	✓

## WITHOUT SKIRTING



Y												
61	71	81	91	101	121	141	151	161	171	181	191	201
✓	✓	✓	✓	✓	✓	✓	✓	✓	✓	✓	✓	✓

# Accessories

## SHOWER TRAY

	INCLUDED	HERMES	KALOS	NATURE	MARCO	NEO	PREMIUM	NATURE CURVE
HORIZONTAL WASTE SIPHON				✓	✓		✓	✓
VERTICAL WASTE SIPHON				✓	✓		✓	✓
RECTANGULAR WASTE SIPHON		✓	✓			✓		
STAINLESS STEEL GRATING	✓			✓	✓			✓
STAINLESS STEEL COLOUR GRATING				✓	✓			✓
RESIN COVER RECTANGULAR	✓						✓	
STAINLESS STEEL COVER RECTANGULAR							✓	
RESIN COVER 300	✓	✓	✓			✓		

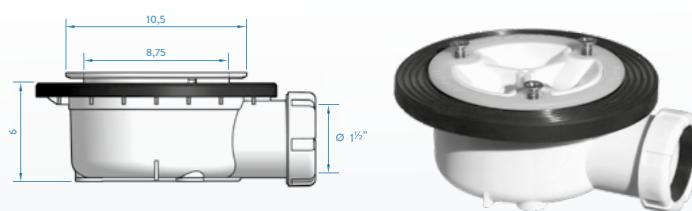
## VANITY TOPS AND SHELVES

	OPTIONAL
STAINLESS STEEL BRACKETS	✓
ELECTROGALVANIZED BRACKETS	✓
PUSH VALVE	✓
OVERFLOW SET	✓

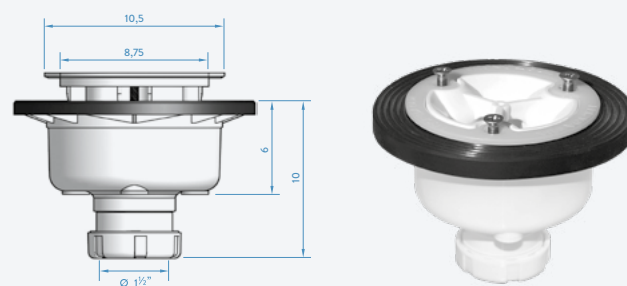
REPAIR KIT	250 ml	500 ml	1000 ml
	✓	✓	✓
PAINT KIT	250 ml	500 ml	1000 ml
	✓	✓	✓
PEGOLAND ELASTIC ADHESIVE	5 kg	10 kg	--
	✓	✓	--

## WASTE SIPHON

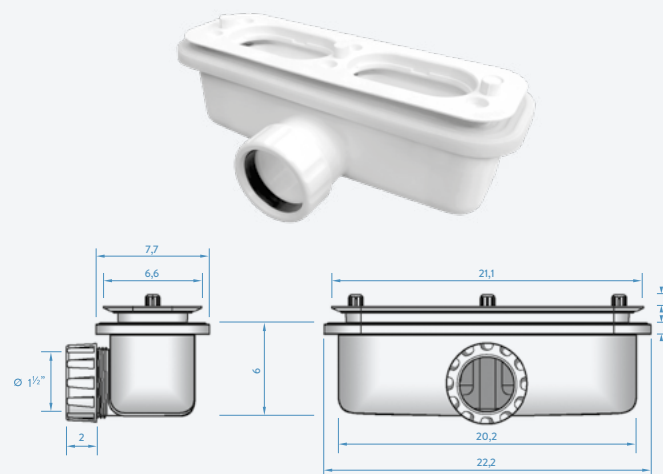
### HORIZONTAL



### VERTICAL



### RECTANGULAR

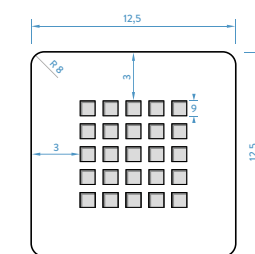


## STAINLESS STEEL GRATING

### SQUARE



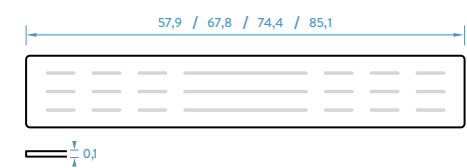
### RAL COLOUR



### RECTANGULAR

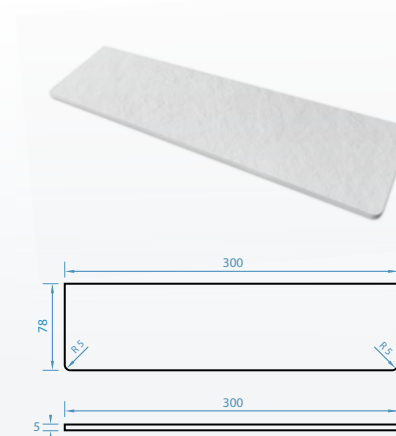


### PREMIUM B 70 / 80 / 90 / 100



## RESIN COVER

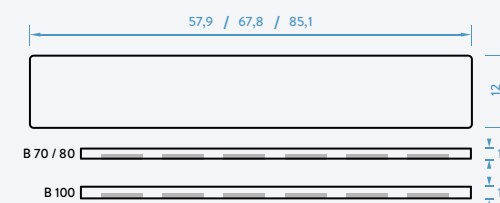
### COVER 300



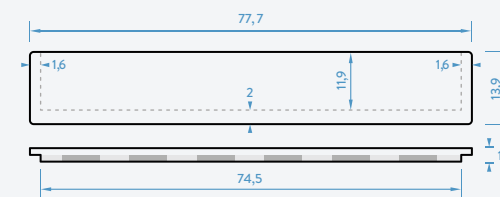
### RECTANGULAR



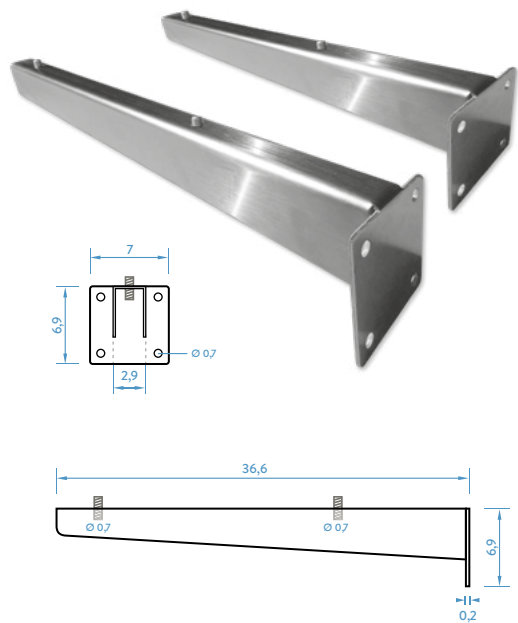
### PREMIUM B 70 / 80 / 100



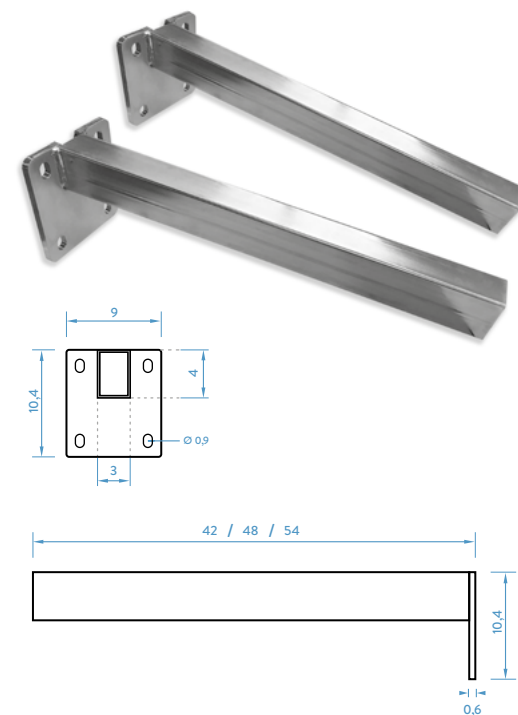
### PREMIUM B 90



### STAINLESS STEEL BRACKETS



### ELECTROGALVANIZED BRACKETS



### PUSH VALVE



### OVERFLOW SET



### REPAIR KIT



### PAINT KIT



### PEGOLAND® ELASTIC

PRODUCT RECOMMENDED FOR PERFECT ADHESION  
Excellent improved white flexible reactive two component adhesive, no vertical movement, ideal to lay ceramic tiles, mosaic tiles, natural stone, polycarbonate panels and resin agglomerated tiles. Perfect for both interior and exterior floor and wall tiles.

This product is also distinguished for its exceptional workability, elasticity and optimum waterproof properties. This adhesive is suitable for gluing different materials on non-traditional supports.

This product produces very low emissions of volatile organic substances.



### CHEMICAL TESTS

CLEANING SOLUTION (PRODUCT)	EXPOSURE TIME (DAYS)	VISUAL INSPECTION RESULT
Mister Proper pH neutral	1	No visible effects
Scented household neutral bleach	1	No visible effects
Ace	1	No visible effects
Scented ammonia	1	No visible effects
Viakal	1	No visible effects
Cillit Bang	1	No visible effects
KH-7 Antical	1	No visible effects
White wine vinegar	1	No visible effects
Povidone iodine	1	No visible effects
Hydrogen peroxide	1	No visible effects
Methylated spirits	1	No visible effects
Acetone	1	No visible effects
Nail polish remover	1	No visible effects

### REMOVING STAINS

STAINING AGENT	RESULT	CLEANING AGENT
Nail polish	Stain removed	Acetone
Lipstick	Stain removed	Neutral soap
Betadine	Stain removed	Acetone
Wine	Stain removed	Acetone

Determining the product's resistance to chemicals, colourings and dyes according to the UNE-EN-14527 without any deterioration.

Acetylsalicylic acid (10%), sodium hydroxide (10%), ethanol (70%), bleach, methylene blue (1%)

FAQS

**Can the products be custom made?**

Our products can be ordered with a margin of ±0.7%.

**How should the product be stored once it has been received?**

It should be stored horizontally on a flat surface.

**How can the products be repaired?**

Although they are very strong and impact resistant, we have repair kits available for our customers.

**Can the product be cut?**

Yes, with a diamond cutting disc.

**How do you clean the product?**

Neutral soap and water applied with a sponge should be used. Never use abrasive products or tools.

**What material should be used to install the products?**

To stick and/or seal the products use MS flexible polyurethane sealant and/or neutral silicone.

BATHTUB CLEANING AND MAINTENANCE GUIDE (RECOMMENDATIONS FOR MATT SURFACES)

For regular cleaning use a universal cleaning agent with non abrasive properties, or any mild dish soap and water. After each use the inner surface must be rinsed with water and cleaned with a cotton cloth. For more stubborn stains (grease, mildew, oil, paint or ink stains), use a mild abrasive cleaner. It may take a little more scrubbing to actually remove marks. In order to maintain the aesthetics of a product it is recommended to use skin care oil once per month. Stronger dirt must be treated with warm water, with gentle cleaning agents or a soap solution with water. Scratches on the surface may be treated with a rough sponge and then maintained with oil. Limescale may be treated with a solution of water and vinegar.

THE TEMPERATURE OF THE WATER USED TO CLEAN THE WASHBASIN MUST NOT BE HOTTER THAN 70°C AND FOR THE BATHTUB AND THE SHOWER TRAY IT MUST NOT BE HOTTER THAN 75°C. CLEANING PRODUCTS MUST NOT BE USED AND CARE MUST BE TAKEN WHEN USING PRODUCTS WITH NATURAL OR ARTIFICIAL DYES. BEFORE USING A DETERGENT ON THE PRODUCT, TRY IT FIRST ON A HIDDEN SPOT. INAPPROPRIATE CARE OF THE PRODUCT MIGHT DAMAGE IT AND VOID THE WARRANTY.

WARRANTY

All our products come with a two year warranty according to the existing European regulations. The following circumstances shall void the warranty:

- Damage caused by misuse
- Unsuitable storage and handling of the product
- Incorrect use of cleaning products
- Inappropriate installation of the product

IMPORTANT

Our warranty covers only and exclusively the exchange of the product.

The colour tones of all DEKOR designs can vary caused by many reasons.

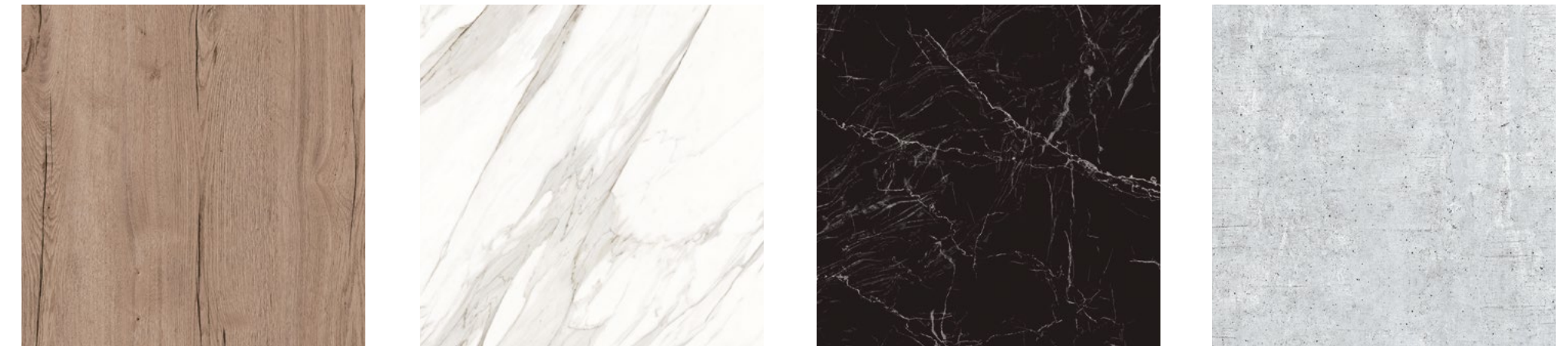
PACKAGING AND TRANSPORTATION

The products are packed and delivered in separate protected cardboard boxes.



WHITE RAL 9003    BEIGE RAL 9001    MOKA RAL 1001    PEARL GREY RAL 7035    GREY RAL 7037    GRAPHITE RAL 7016

DEKOR DESIGNS



HALIFAX W 1001    CALACATTA S 2703    MARQUINA S 2020    CEMENTO U 3001



ARABESCO S 2021    ZAHA S 2025    DARK NOGAL W 1022    MICROCEMENTO U 3500





NATURE / MARCO / PREMIUM / NEO / HERMES / NATURE CURVE

**FABRICANTE**  
**F&D GROUP**  
 C/ Algézar, 5-7  
 Pol. Ind. Tres Hermanas  
 03680 Aspe (Alicante) Spain  
 (+34) 966 600 871 - 865 667 979  
 info@ohmyshower.com



**PRODUCTO**  
 Plato de ducha construido con resina de poliéster, cargas minerales de última generación, con una densidad de 1,4 g/cm³ y gel coat de alta resistencia. Nuestros platos de ducha son ideales para la decoración de cualquier baño, ya que se adaptan a cualquier espacio y diseño, puesto que podemos personalizar cualquier medida, así como utilizar todos los colores que aparecen en la carta RAL. Las cargas utilizadas confieren a nuestro plato de ducha un menor peso en comparación a los platos de otras marcas.

Información facilitada por el fabricante bajo su responsabilidad.

PLATO DE DUCHA RESINA Muestra referenciada en AIDIMME como 1712067-01

ENSAYOS REALIZADOS	NORMATIVA	RESULTADO
Aptitud para la limpieza (valoración)	EN 14527:2016	Correcto
Evacuación del agua (valoración)	EN 14527:2016	Correcto
Estabilidad del fondo (valoración)	EN 14527:2016	Correcto
Resistencia a productos químicos y colorantes (valoración)	EN 14527:2016	Sin deterioro. Correcto
Resistencia a las variaciones de temperatura (valoración)	EN 14527:2016	Sin deterioro. Correcto

De acuerdo con los ensayos realizados, se puede asignar a la muestra la CLASE 1, de acuerdo con la norma EN 14527:2016 "Platos de ducha para uso doméstico" y su designación corresponde al siguiente sistema: EN 14527-CL1

ACABADO GEL COAT PLATO DE DUCHA. Muestra referenciada en AIDIMME como 1712067-01

ENSAYOS REALIZADOS	MET. ENSAYO	RESULTADO	REQUISITO
Estabilidad de la superficie. Rayado	EN 14688	0,11	Sin aparición del substrato
Profundidad de la rayada (mm)	Apartado 5.6	Sin aparición del substrato	Correcto
Estabilidad de la superficie. Abrasión	EN 14688	0,55	Sin aparición del substrato
• Valoración tras 750 ciclos	Apartado 5.7	Sin aparición del substrato	Correcto
• Pérdida de masa tras 750 ciclos(g)			
Resistencia al impacto. Caída de bola	EN 249	1000	Sin distorsiones ni defectos.
• Altura de caída (mm)	Anexo A-4	Sin deterioro	Correcto
• Valoración			

Documento de AFNOR NF017 de 2013, correspondiente a "Reglas de certificación de la marca NF para aparatos sanitarios", los platos de ducha construidos con material polimérico pintados de tipo mono-capa. De acuerdo con la norma UNE EN 249:2010, "Aparatos sanitarios. Platos de ducha fabricados a partir de planchas acrílicas reticuladas obtenidas por colada. Requisitos y métodos de ensayo".

ENSAYOS REALIZADOS	NORMATIVA	RESULTADO
Resistencia al deslizamiento Clase de resbaladidad	UNE ENV 12633	46 Clase 3



Enero 2020  
 Los ensayos descritos en esta ficha han sido realizados en el laboratorio de AIDIMME (ES040281990) a petición del fabricante del producto. Los resultados obtenidos corresponden a la muestra analizada. Dichos resultados se recogen en el Informe de ensayos referencia 220.1192.885.05.01, D.L.E. 2190298 y 2190299



PLATO DE DUCHA "GAMA DEKOR"

**FABRICANTE**  
**F&D GROUP**  
 C/ Algézar, 5-7  
 Pol. Ind. Tres Hermanas  
 03680 Aspe (Alicante) Spain  
 (+34) 966 600 871 - 865 667 979  
 info@ohmyshower.com



**PRODUCTO**  
 Plato de ducha, gama DEKOR, construido con resina de poliéster, cargas minerales de última generación, con una densidad de 1,4 g/cm³ e impresión digital. Nuestros platos de ducha son ideales para la decoración de cualquier baño, ya que se adaptan a cualquier espacio y diseño.

La gama Dekor se inspira en la naturaleza para reproducir texturas como la madera, cemento, mármol, etc. con la ventaja de una mejor instalación, conservación y limpieza. Las lacs utilizadas en este producto le confieren una gran propiedad mecánica y resistencia química.

Información facilitada por el fabricante bajo su responsabilidad.

ENSAYOS REALIZADOS	NORMATIVA	RESULTADO
Aptitud para la limpieza. Aspecto de la superficie (valoración)	EN 14527:2016	Correcto
Evacuación del agua (valoración)	EN 14527:2016	Correcto
Estabilidad del fondo (valoración)	EN 14527:2016	Correcto
Resistencia a productos químicos y colorantes (valoración)	EN 14527:2016	Sin deterioro. Correcto
Resistencia a las variaciones de temperatura	EN 14527:2016	Sin deterioro. Correcto

De acuerdo con los ensayos realizados, se pueden asignar a la muestra, la CLASE 1, de acuerdo con la norma EN 14527:2016 "Platos de ducha para uso doméstico" y su designación corresponde al siguiente sistema: EN 15527-CL1

ENSAYOS REALIZADOS	NORMATIVA	RESULTADO
Resistencia al deslizamiento Clase de resbaladidad	UNE ENV 12633	46 Clase 3



Enero 2020  
 Los ensayos descritos en esta ficha han sido realizados en el laboratorio de AIDIMME (ES040281990) a petición del fabricante del producto. Los resultados obtenidos corresponden a la muestra analizada. Dichos resultados se recogen en el Informe de ensayos referencia 220.1192.887.05.03 y 221.1190.791.05.03 (D.L.E. 2190298, 2190297 y 2190299)



**FABRICANTE**  
**F&D GROUP**  
 C/ Algézar, 5-7  
 Pol. Ind. Tres Hermanas  
 03680 Aspe (Alicante) Spain  
 (+34) 966 600 871 - 865 667 979  
 info@ohmyshower.com



**PRODUCTO**  
 Los paneles de POLICARBONATO para revestimiento tienen 6 mm de grosor. Se presentan como la solución idónea para el revestimiento de paredes en el cambio de una bañera por un plato de ducha, sin necesidad de obra, así como para panelar el baño completamente.

El acabado es liso con un leve granulado efecto arena. Se puede cortar fácilmente si hay necesidad de un ajuste a medida al colocarlo. Son prácticamente impermeables, tienen cierta flexibilidad y su extrema ligereza permite la colocación de un gran formato por una sola persona. Al ser tan ligero es ideal para instalar sobre paredes tipo Pladur que no soportan cargas elevadas.

Información facilitada por el fabricante bajo su responsabilidad.

PANELES POLICARBONATO. Muestra referenciada en AIDIMME como 1909211-01

ENSAYOS REALIZADOS	NORMATIVA	RESULTADO
Resistencia al vapor de agua (Grado)	UNE-EN 438-2	5
Estabilidad dimensional a temperatura elevada		
• Variación dimensional acumulada dirección longitudinal (%)	UNE-EN 438-2	0,15
• Variación dimensional acumulada dirección perpendicular (%)	UNE-EN 438-2	0,15
Resistencia al impacto. Bola de pequeño diámetro (Newtons)	UNE-EN 438-2	60
Resistencia al impacto. Bola de gran diámetro	UNE-EN 438-2	2000
• Altura (mm)		<-10
• Diámetro huella (mm)		
Solidez a la luz (grado de escala de grises)	UNE-EN 438-2	5
Resistencia al manchado (Grado)	UNE-EN 438-2	
• Aceitona (16h)		5
• Café (16h)		5
• Hidróxido de sodio (25%) (10 min)		5
• Pedrada de hidrógeno (30%) (10 min)		5
• Simulante abrillantador calzado (10 min)		5

PANELES POLICARBONATO. Muestra referenciada en AIDIMME como 1912037-01

ENSAYOS REALIZADOS	NORMATIVA	RESULTADO
Resistencia a la abrasión	UNE-EN 15468	≥ 4000
• F1 (nº de ciclos)	Anexo A	AC4
• Clasificación		
Hinchazón en grosor (%)	ISO 24336	0,0

PANELES POLICARBONATO. Muestra referenciada en AIDIMME como 2001015-01

ENSAYOS REALIZADOS	NORMATIVA	RESULTADO
Resistencia al deslizamiento Clase de resbaladidad	UNE ENV 12633	42 Clase 2
ISO 24336		



Enero 2020  
 Los ensayos descritos en esta ficha han sido realizados en el laboratorio de AIDIMME (ES040281990) a petición del fabricante del producto. Los resultados obtenidos corresponden a la muestra analizada. Dichos resultados se recogen en los informes de ensayos de referencia 221.1911.1055.05.01, 221.1912.1383.05.01 y 221.1901.803.05.01 (D.L.E. 2190400, 2190298 y 2190480)



DECLARACIÓN DE PRESTACIONES

1. **Producto:** ENCOMERAS CON LAVABO Nº. DdP: 02  
 2. **Nombre y dirección:**  
 F&D GROUP  
 C/ Algézar, 5-7  
 Pol. Ind. Tres Hermanas  
 03680 Aspe (Alicante) Spain  
 3. **Uso previsto:** USO DOMÉSTICO, PARA LA HIGIENE PERSONAL.  
 4. **Sistema de evaluación:** SISTEMA 4  
 5. **Prestaciones declaradas:**

Características esenciales	Prestaciones	Especificaciones técnicas Armonizadas
Aptitud para la limpieza	Pasa	UNE-EN 14688:2006
Resistencia a la carga	Pasa	UNE-EN 14688:2006
Protección contra el desbordamiento	Clase 25	UNE-EN 14688:2006
Durabilidad	Pasa	UNE-EN 14688:2006

- Las prestaciones del producto identificado en el punto 1 son conformes con las prestaciones declaradas en el punto 5.
- La presente declaración de prestaciones se emite bajo la única responsabilidad del fabricante indicado en el punto 2.
- Firmado por y en nombre del fabricante por: Manuel Pérez Guixot

Elche, a 26 de Junio de 2015 (Gerente)

\* Características esenciales ensayadas en los laboratorios de AIDIMME. \* Control de Producción en la Fábrica (CPF) implantado por AIDIMME. **AIDIMME INSTITUTO TECNOLÓGICO**

DECLARACIÓN DE PRESTACIONES Lavabo - Mineral Composite

Código de identificación única del producto tipo: Lavabo - Mineral Composite  
 Usos previstos: **higiene personal**  
 Representante autorizado: **no aplicable**  
 Sistemas de evaluación y verificación de la constancia de las prestaciones (EVCP): **System 4**  
 Norma armonizada: **EN 14688:2006**  
 Organismos notificados: **no aplicable**  
 Documento de evaluación europeo: **no aplicable**  
 Evaluación técnica europea: **no aplicable**  
 Organismo de evaluación técnica: **no aplicable**  
 Organismos notificados: **no aplicable**

Prestaciones declaradas:

Características esenciales	Propiedades	Especificación técnica armonizada
La capacidad de limpiar CA	Cumple	EN 14688:2006
Resistencia a cargas LR	Cumple o no aplicable	
Rendimiento del canal de desbordamiento Of	CL - en la etiqueta del producto	
Durabilidad DA	Cumple	

Documentación técnica adecuada o documentación técnica específica: **no aplicable**

DECLARACIÓN DE PRESTACIONES Bañera - Mineral Composite

Código de identificación única del producto tipo: Baño - Mineral Composite  
 Usos previstos: **higiene personal**  
 Representante autorizado: **no aplicable**  
 Sistemas de evaluación y verificación de la constancia de las prestaciones (EVCP): **System 4**  
 Norma armonizada: **EN 14516:2006+A:2010**  
 Organismos notificados: **no aplicable**  
 Documento de evaluación europeo: **no aplicable**  
 Evaluación técnica europea: **no aplicable**  
 Organismo de evaluación técnica: **no aplicable**  
 Organismos notificados: **no aplicable**

Prestaciones declaradas:

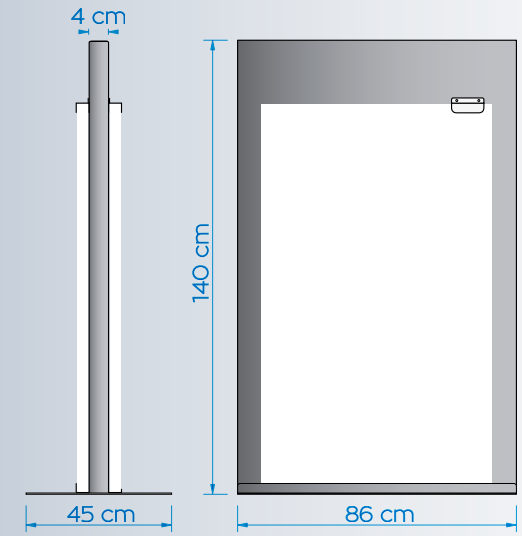
Características esenciales	Propiedades	Especificación técnica armonizada
La capacidad de limpiar CA	Cumple	EN 14516:2006+A:2010
Durabilidad DA	Cumple	

Documentación técnica adecuada o documentación técnica específica: **no aplicable**

Certificado para modelos de plato y lavabo AIDIMA  
 EN - 14527 : 2006 + A1 Clase 1  
 USO DOMÉSTICO PARA LA HIGIENE PERSONAL

# DISPLAY 2021

A nice and convenient way to show two shower trays of 120 x 70 cm, one on each side.





# bathroom collection 21



## Seat and SPAIN Factory

Algezar, 5-7  
Ind. Est. Tres Hermanas  
03680 ASPE (Alicante) Spain  
+34 966 600 871  
+34 865 667 979

pedidos@ohmyshower.com  
info@ohmyshower.com  
[www.ohmyshower.com](http://www.ohmyshower.com)

## EXPORT Factory

Av. de La Coruña, 10  
Ind. Est. Los Azarbes  
03150 DOLORES (Alicante) Spain  
+34 965 992 375  
+34 965 072 396

international@fdshowertray.com  
info@fdshowertray.com  
[www.fdshowertray.com](http://www.fdshowertray.com)